

OPERATING MANUAL GUIDE D'UTILISATION

ASSEMBLY ASSEMBLAGE



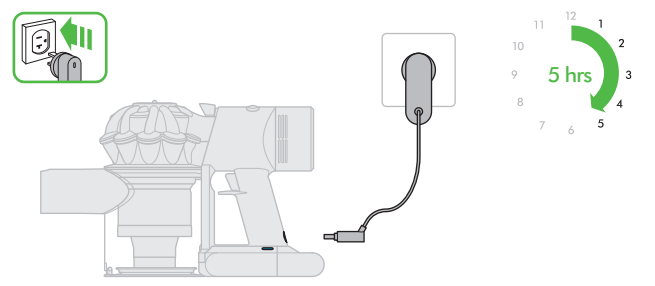




WASH FILTERS

Wash filters with cold water at least every month. Ensure the filter is completely dry before refitting.

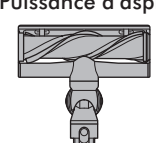
LAVER LES FILTRES

Laver les filtres à l'eau froide au moins une fois par mois. Vérifier que le filtre est complètement sec avant de le remettre en place.


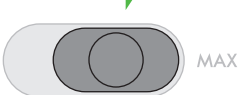


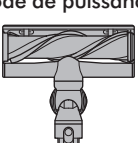
Powerful suction
Puissance d'aspiration élevée



Up to 40 minutes
(25 minutes with motorised head)
Jusqu'à 40 minutes d'autonomie.
(25 minutes avec la brosse à moteur)

Max mode
Mode de puissance maximale



7 minutes

REGISTER TODAY

3 easy ways to register your 2 year limited warranty.

ENREGISTREMENT

3 façons faciles de vous enregistrer pour bénéficier d'une garantie limitée de 2 ans.



IMPORTANT SAFETY INSTRUCTIONS

BEFORE USING THIS APPLIANCE READ ALL INSTRUCTIONS AND CAUTIONARY MARKINGS IN THIS MANUAL AND ON THE APPLIANCE

When using an electrical appliance, basic precautions should always be followed, including the following:

WARNING

These warnings apply to the appliance, and also where applicable, to all tools, accessories, chargers or mains adaptors.

TO REDUCE THE RISK OF FIRE, ELECTRIC SHOCK, OR INJURY:

1. This Dyson appliance is not intended for use by persons (including children) with reduced physical, sensory or reasoning capabilities, or lack of experience and knowledge, unless they have been given supervision or instruction concerning use of the appliance by a person responsible for their safety.
2. Do not allow to be used as a toy. Close attention is necessary when used by or near children. Children should be supervised to ensure that they do not play with the appliance.
3. Use only as described in this Dyson Operating Manual. Do not carry out any maintenance other than that shown in this manual, or advised by the Dyson Helpline.
4. Suitable for dry locations ONLY. Do not use outdoors or on wet surfaces.
5. Do not handle any part of the plug or appliance with wet hands.
6. Do not use with a damaged cord or plug. If the supply cord is damaged it must be replaced by Dyson, its service agent or similarly qualified persons in order to avoid a hazard.
7. If the appliance is not working as it should, has received a sharp blow, has been dropped, damaged, left outdoors, or dropped into water, do not use and contact the Dyson Helpline.
8. Contact the Dyson Helpline when service or repair is required. Do not disassemble the appliance as incorrect reassembly may result in an electric shock or fire.
9. Do not stretch the cable or place the cable under strain. Keep the cable away from heated surfaces. Do not close a door on the cable, or pull the cable around sharp edges or corners. Arrange the cable away from traffic areas and where it will not be stepped on or tripped over. Do not run over the cable.
10. Do not unplug by pulling on the cord. To unplug, grasp the plug, not the cord. The use of an extension cord is not recommended.
11. Do not use to pick up water.
12. Do not use to pick up flammable or combustible liquids, such as gasoline, or use in areas where they or their vapours may be present.
13. Do not pick up anything that is burning or smoking, such as cigarettes, matches, or hot ashes.
14. Keep hair, loose clothing, fingers, and all parts of the body away from openings and moving parts. Do not point the hose, wand or tools at your eyes or ears or put them in your mouth.
15. Do not put any object into openings. Do not use with any opening blocked; keep free of dust, lint, hair, and anything that may reduce airflow.
16. Use only Dyson recommended accessories and replacement parts.
17. Do not use without the clear bin and filter in place.
18. Unplug when not in use for extended periods and before maintenance or servicing.
19. Use extra care when cleaning on stairs.
20. Do not install, charge or use this appliance outdoors, in a bathroom or within 3 metres (10 feet) of a pool. Do not use on wet surfaces and do not expose to moisture, rain or snow.
21. Use only Dyson chargers for charging this Dyson appliance. Use only Dyson batteries: other types of batteries may burst, causing injury to persons and damage.

22. FIRE WARNING – Do not place this product on or near a cooker or any other hot surface and do not incinerate this appliance even if it is severely damaged. The battery might catch fire or explode.
23. Always turn 'OFF' the appliance before connecting or disconnecting the motorized brush bar.
24. FIRE WARNING – Do not apply any fragrance or scented product to the filter(s) of this appliance. The chemicals in such products are known to be flammable and can cause the appliance to catch fire.

READ AND SAVE THESE INSTRUCTIONS

THIS DYSON APPLIANCE IS INTENDED FOR HOUSEHOLD USE ONLY



Do not use near open flames.



Do not store near heat sources.



Do not pick up water or liquids.



Do not pick up burning objects.



Do not put hands near the brush bar when the appliance is in use.



Do not place on or near the stove

CONSIGNES DE SÉCURITÉ IMPORTANTES

AVANT D'UTILISER CET APPAREIL, VOUS ÊTES TENU DE LIRE TOUTES LES INSTRUCTIONS ET MISES EN GARDE CONTENUES DANS LE PRÉSENT GUIDE ET INDIQUÉES SUR L'APPAREIL

Lorsque vous utilisez un appareil électrique, vous devez toujours suivre les précautions de base suivantes :

AVERTISSEMENT

Ces avertissements s'appliquent à l'aspirateur et à tous les accessoires, ainsi que, s'il y a lieu, à tout chargeur ou adaptateur d'alimentation principal.

AFIN DE RÉDUIRE LES RISQUES D'INCENDIE, DE DÉCHARGE ÉLECTRIQUE OU DE BLESSURE :

1. Cet appareil n'est pas conçu pour être utilisé par les enfants ni des personnes dont les capacités physiques, sensorielles ou de raisonnement sont réduites, ou qui manquent d'expérience ou de connaissances, à moins qu'une personne responsable ne les supervise ou leur indique comment utiliser l'appareil de façon sécuritaire.
2. Cet appareil n'est pas un jouet. Faire très attention lorsqu'on l'utilise près d'enfants ou si ceux-ci s'en servent. Il faut veiller à ce que les enfants ne jouent pas avec l'appareil.
3. Utiliser cet appareil seulement de la façon décrite dans le présent guide. Ne pas effectuer de travaux d'entretien autres que ceux indiqués dans ce guide ou recommandés par le service d'assistance téléphonique de Dyson.
4. Convient aux surfaces sèches SEULEMENT. Ne pas utiliser à l'extérieur ou sur des surfaces mouillées.
5. Ne pas toucher la prise ou l'appareil avec des mains mouillées.
6. Ne pas utiliser si la fiche ou le cordon est endommagé. Si le cordon est endommagé, il doit être remplacé par Dyson ou un agent qualifié afin d'éviter des risques d'accident.
7. Si l'appareil fonctionne mal, s'il a reçu un coup violent, s'il a été échappé, endommagé, laissé à l'extérieur ou plongé dans l'eau, ne pas l'utiliser et communiquer avec le service d'assistance téléphonique de Dyson.
8. Pour toute réparation ou procédure d'entretien, communiquer avec la ligne d'assistance Dyson. Ne pas démonter l'appareil. S'il est réassemblé de manière inappropriée, cela peut causer un incendie ou des décharges électriques.
9. Ne pas étirer le cordon et ne pas exercer de tension sur celui-ci. Garder le cordon à distance des surfaces soumises à la chaleur. Ne pas tirer le cordon en le faisant passer sur des surfaces ou rebords coupants et ne pas le coincer dans une porte. Garder le cordon à distance des aires de circulation et le faire passer à un endroit où il ne risque pas de causer de chutes. Ne pas écraser le cordon en passant dessus.
10. Ne pas débrancher l'appareil en tirant sur le cordon. Pour le débrancher, saisir la fiche et non le cordon. Nous déconseillons l'utilisation d'une rallonge électrique.
11. Ne pas aspirer d'eau.
12. Ne pas utiliser pour aspirer des liquides inflammables ou combustibles, comme de l'essence, ni dans des zones où il peut y avoir de tels liquides ou émanations de leurs vapeurs.
13. Ne pas aspirer d'objets qui brûlent ou qui fument, comme des cigarettes, des allumettes ou des cendres incandescentes.
14. Éloigner les cheveux, les vêtements amples, les doigts et toute partie du corps des ouvertures et des pièces mobiles. Ne pas pointer le tuyau souple, le tube-rallonge ou les accessoires vers les yeux ou oreilles et ne pas les mettre dans la bouche.
15. Ne placer aucun objet dans les ouvertures. Ne pas utiliser si une ouverture est obstruée; enlever la poussière, les peluches, les cheveux et tout ce qui pourrait réduire la circulation de l'air.
16. Utiliser seulement les accessoires et les pièces de rechange recommandés par Dyson.

17. Ne pas utiliser lorsque le collecteur transparent et le filtre ne sont pas en place.
18. Débrancher de la prise lorsque l'aspirateur n'est pas utilisé durant de longues périodes et avant toute intervention aux fins d'entretien ou de réparation.
19. Redoubler de prudence dans les escaliers.
20. Ne pas installer, recharger ou utiliser cet aspirateur à l'extérieur, dans une salle de bains ou à moins de 3 mètres (10 pi) d'une piscine. Ne pas utiliser sur des surfaces humides et éviter de l'exposer à l'humidité, à la pluie ou à la neige.
21. Utiliser seulement des chargeurs Dyson pour recharger la batterie de cet aspirateur Dyson. N'utiliser que des batteries Dyson; l'utilisation d'autres types de batteries peut causer une explosion occasionnant des blessures et des dommages.
22. RISQUE D'INCENDIE – Ne placez pas cet appareil à proximité d'une cuisinière ou de toute autre surface ayant une source de chaleur; n'incinerez pas cet appareil même s'il est sérieusement endommagé. La batterie peut prendre feu ou exploser.
23. Toujours mettre l'aspirateur hors tension avant de raccorder ou de retirer la brosse à moteur.
24. RISQUE D'INCENDIE – Ne pas mettre de parfum ou de produit parfumé sur les filtres de l'appareil. Les produits chimiques contenus dans ce type de produits sont reconnus pour être inflammables et peuvent amener l'appareil à prendre feu.

LIRE ET CONSERVER CES INSTRUCTIONS

CET APPAREIL DYSON EST CONÇU POUR UN USAGE DOMESTIQUE SEULEMENT



Ne pas utiliser près de flammes nues.



Ne pas ranger à proximité de sources de chaleur.



Ne pas aspirer d'eau ou de liquides.



Ne pas aspirer des objets qui brûlent.

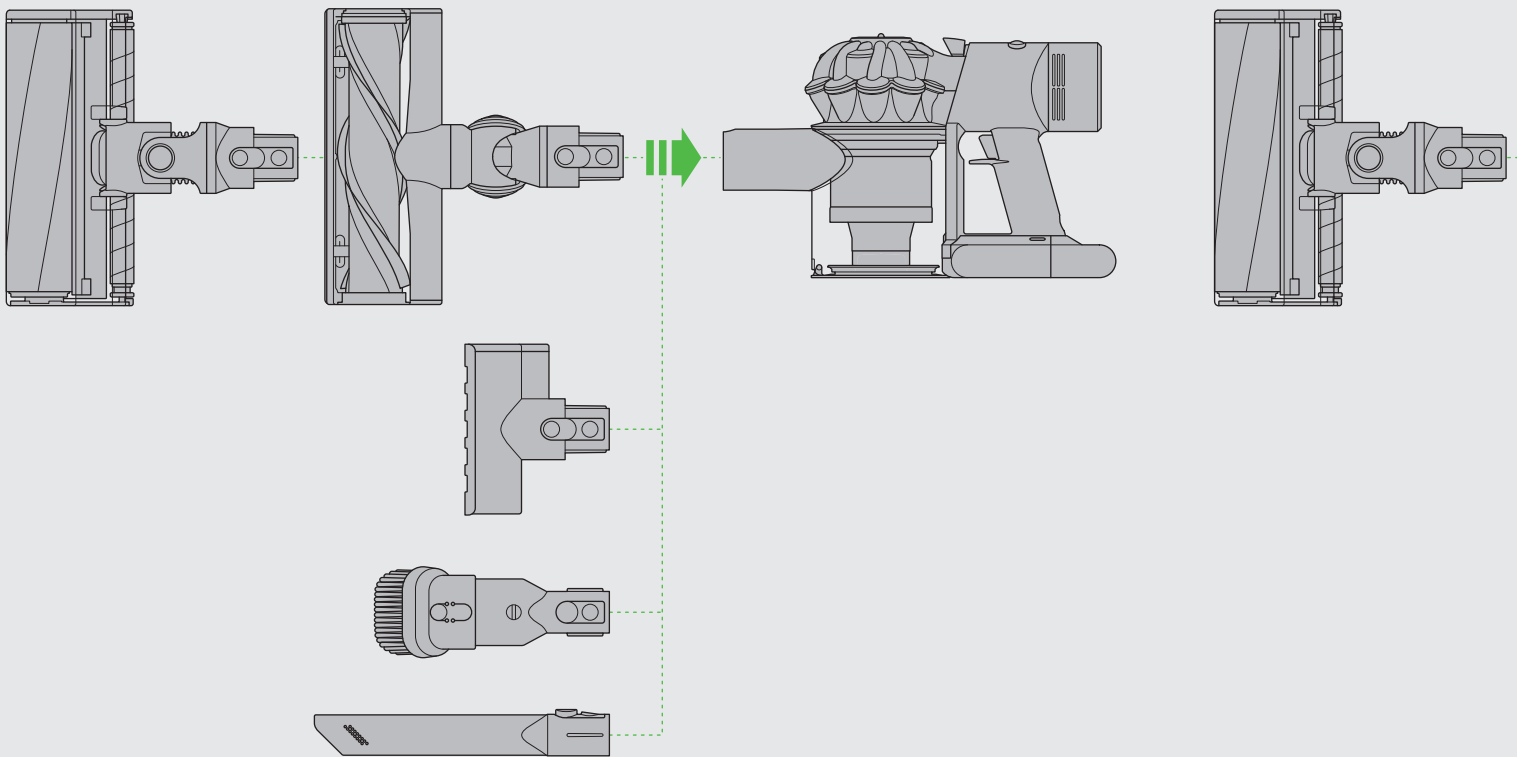
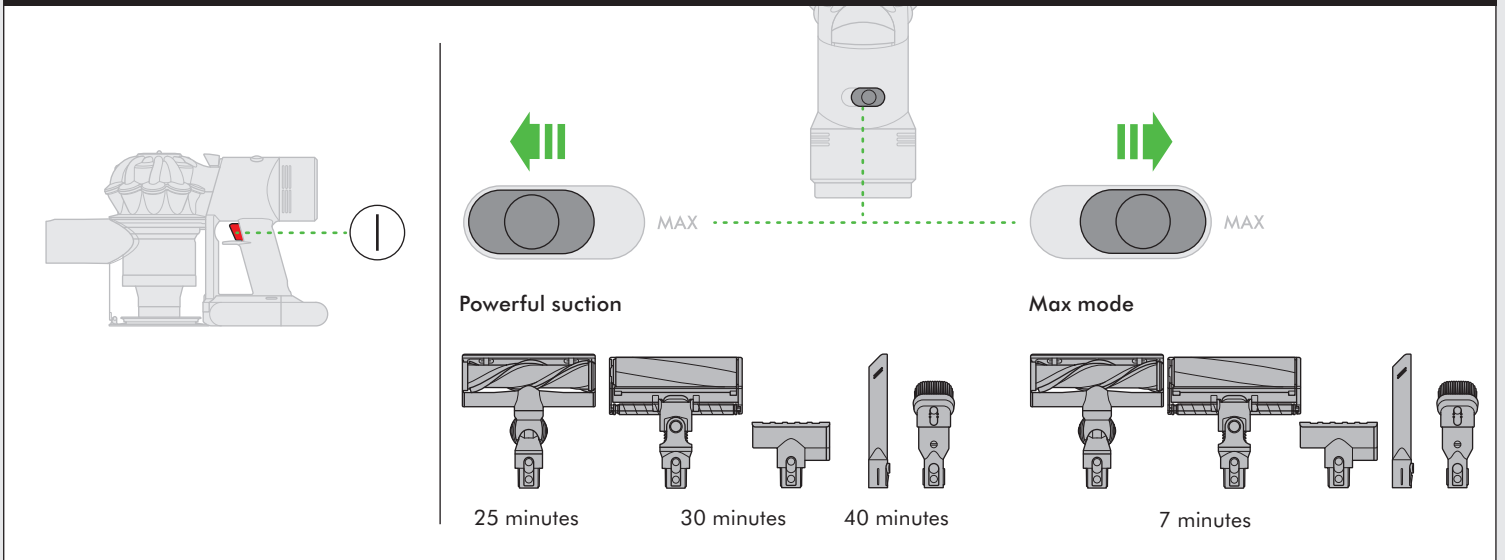


Ne pas mettre vos mains près de la brosse lorsque l'appareil est en marche.

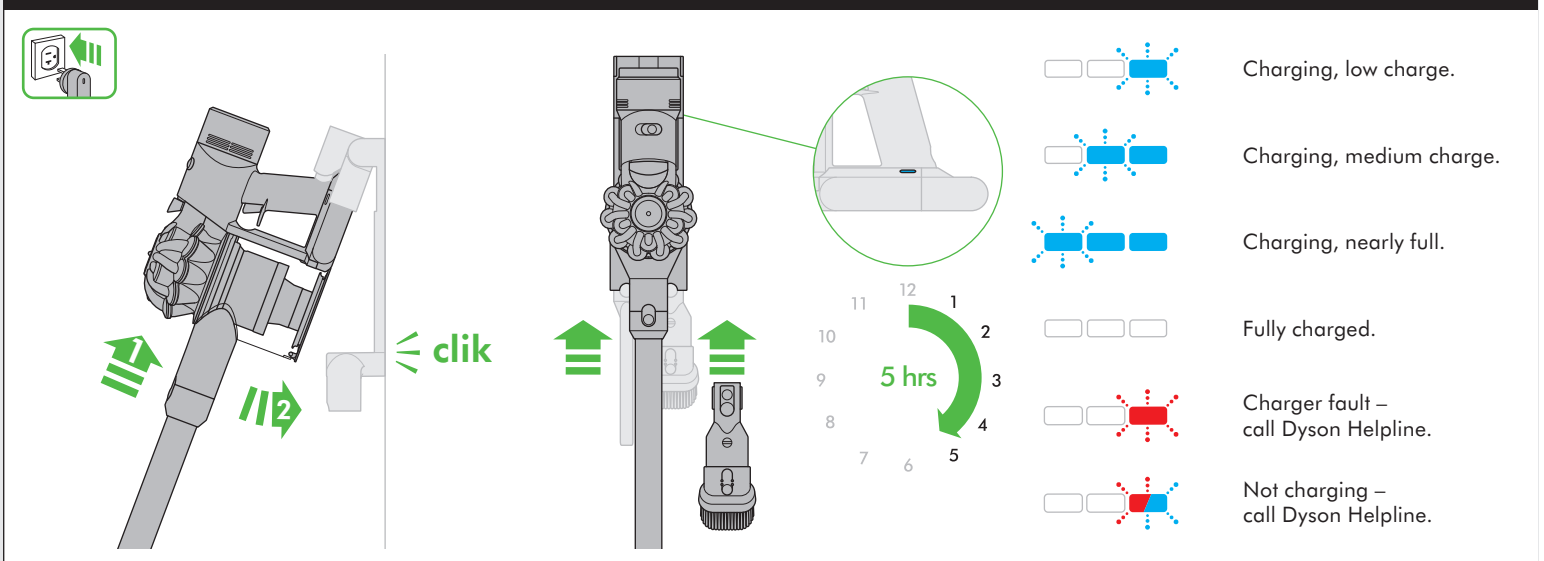


Ne pas mettre l'appareil sur la cuisinière ou à proximité de cette dernière.

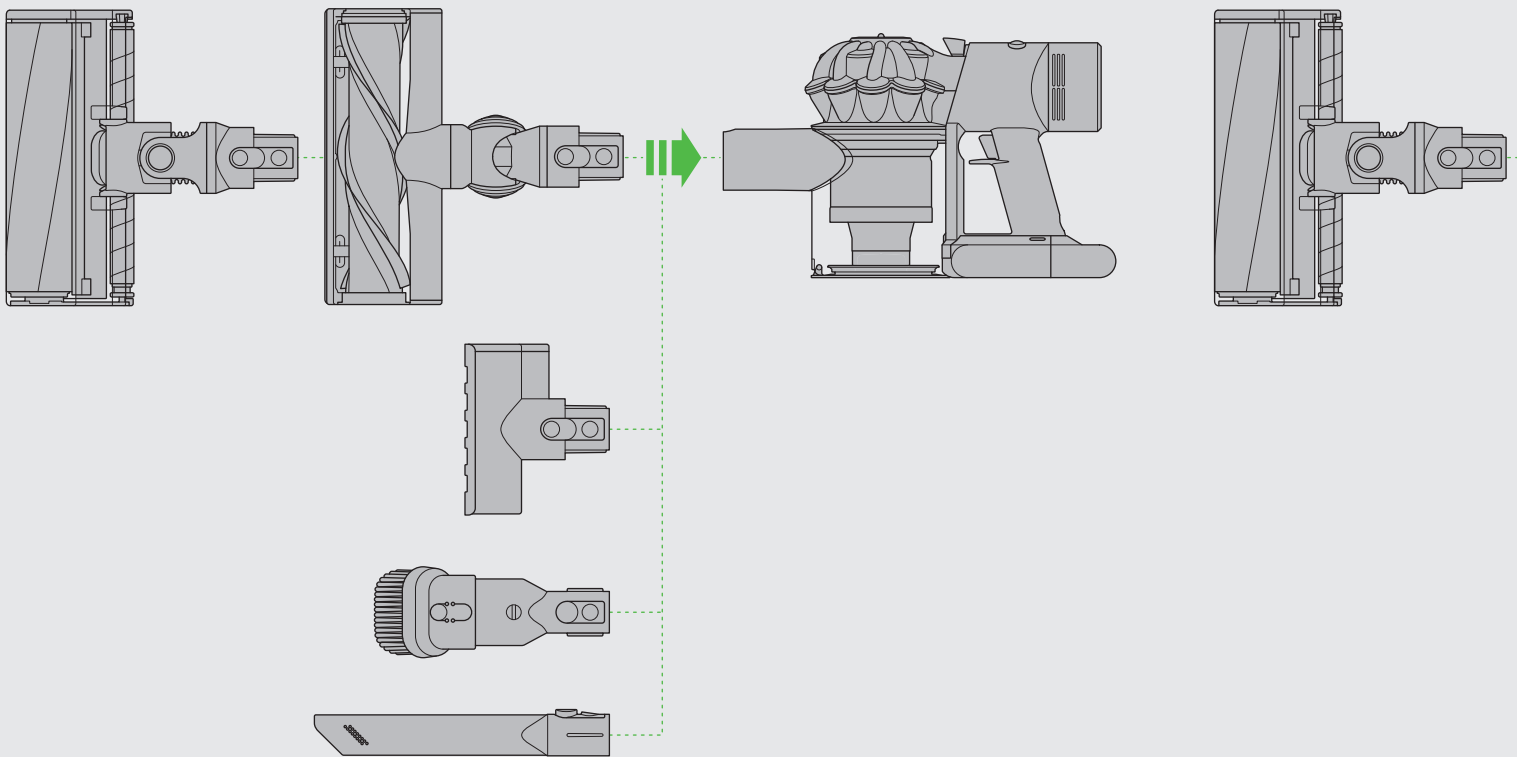
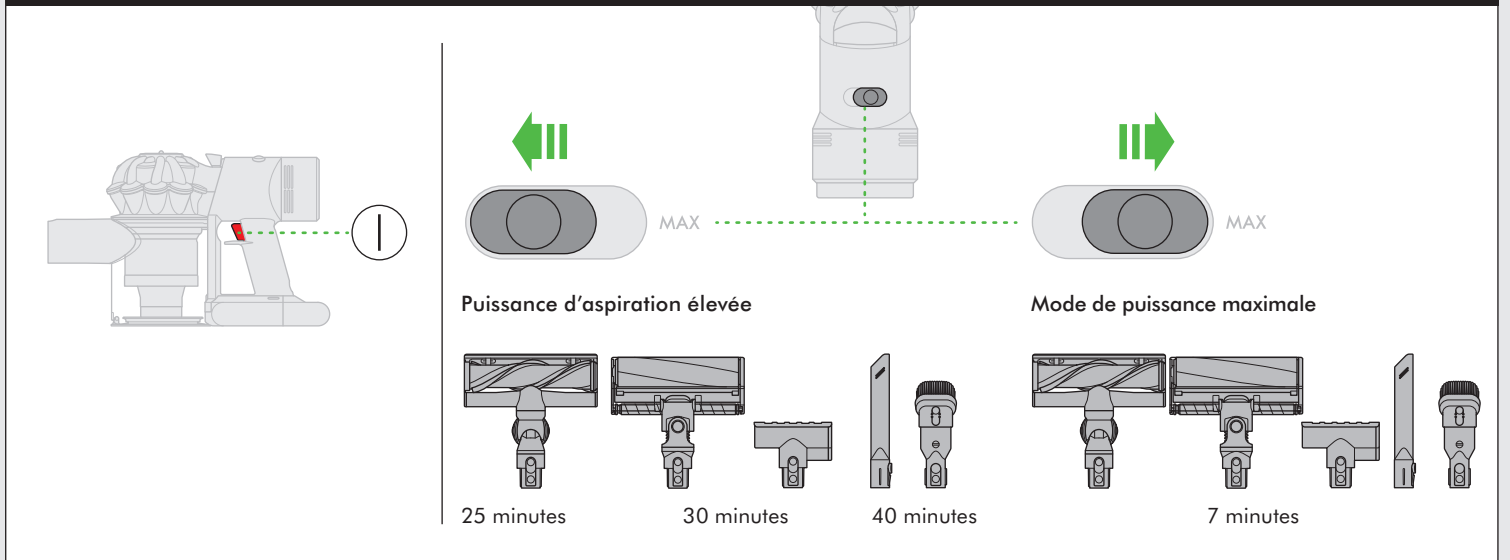
Power mode and run time



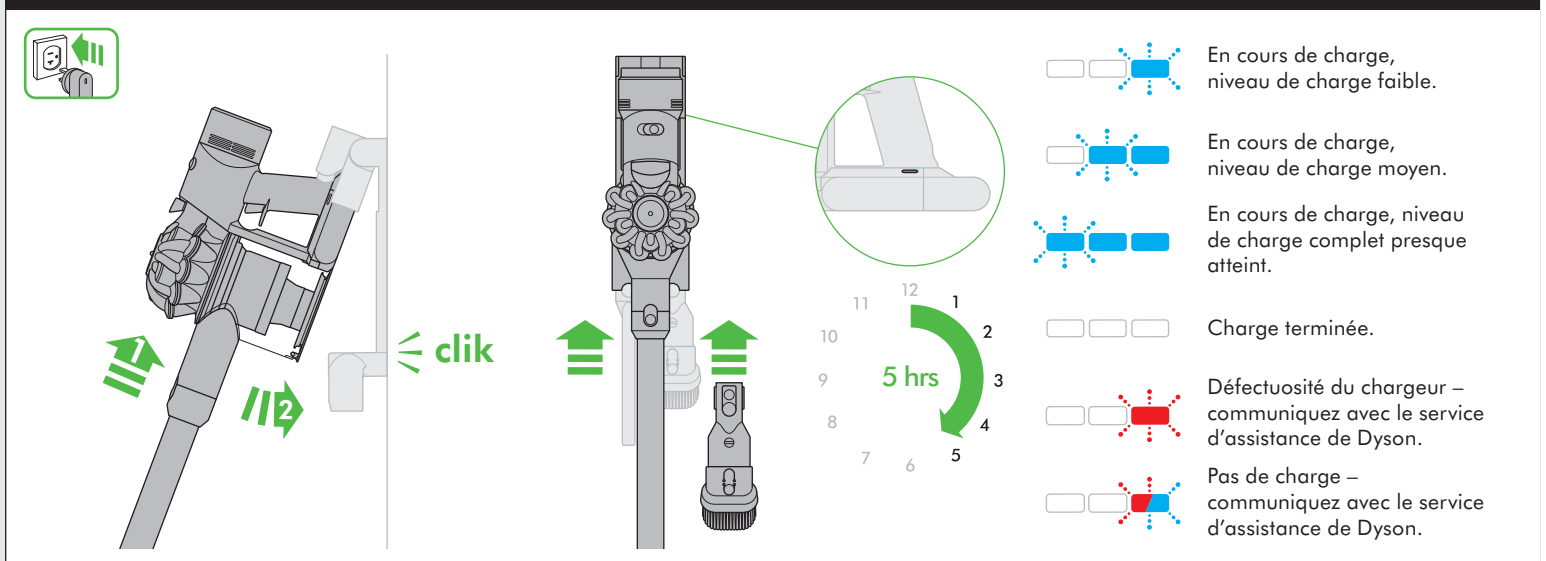
Recharging on the dock



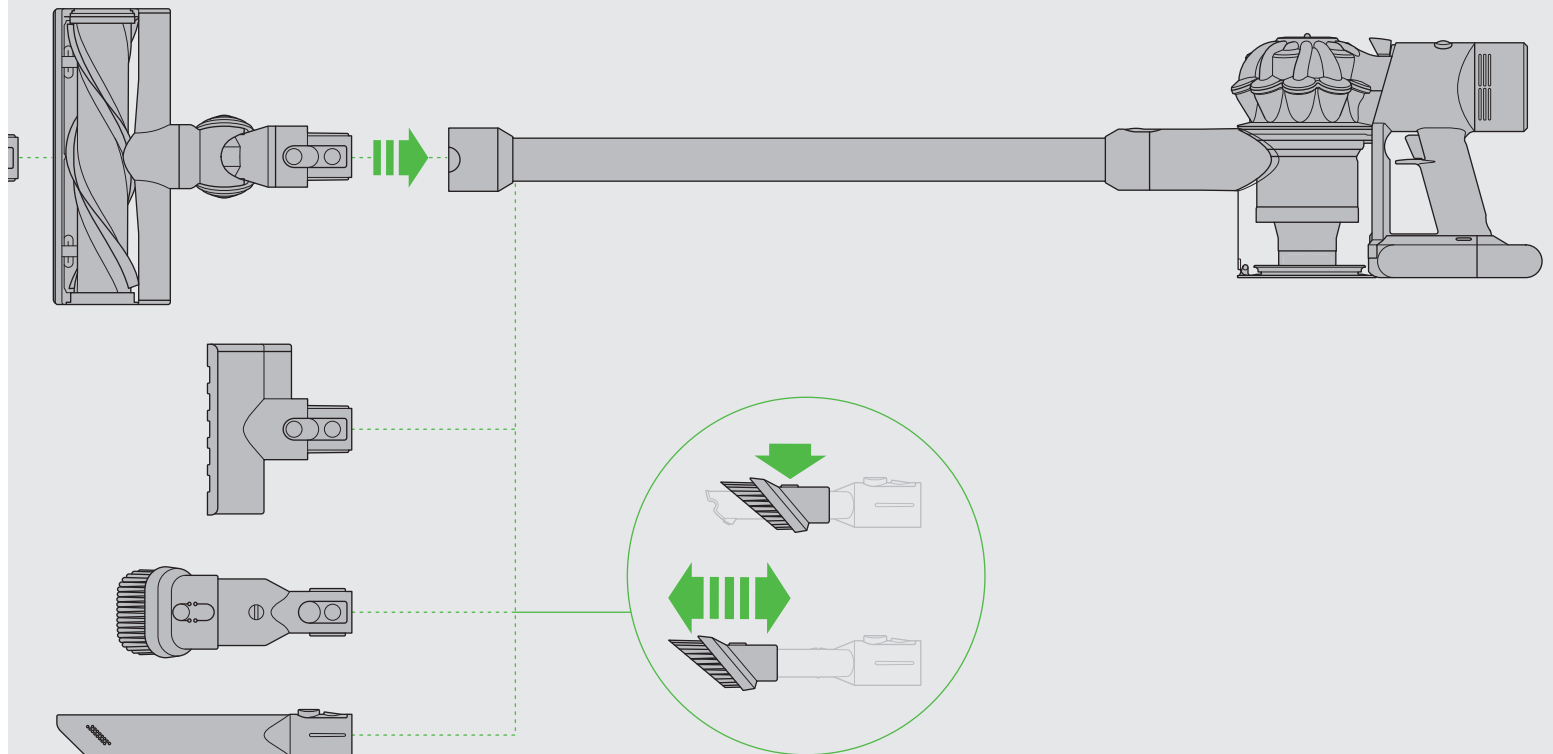
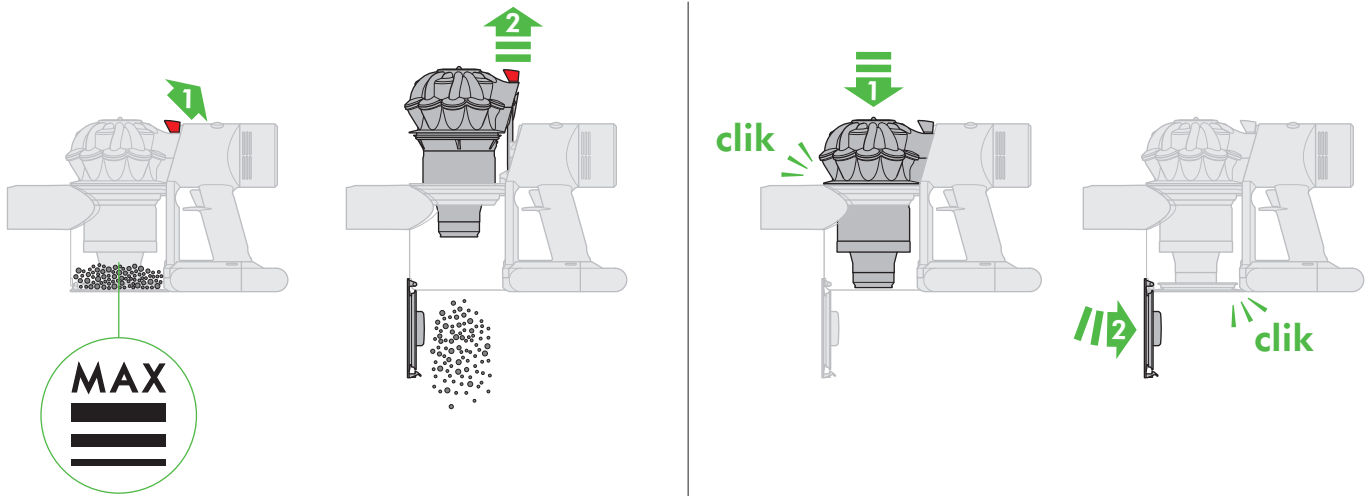
Mode d'alimentation et durée de fonctionnement



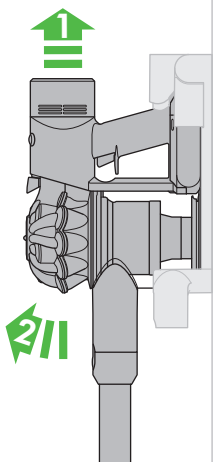
Recharge sur la station



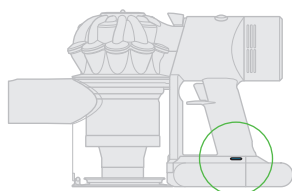
Vidage du collecteur transparent









Retirez l'appareil de la station



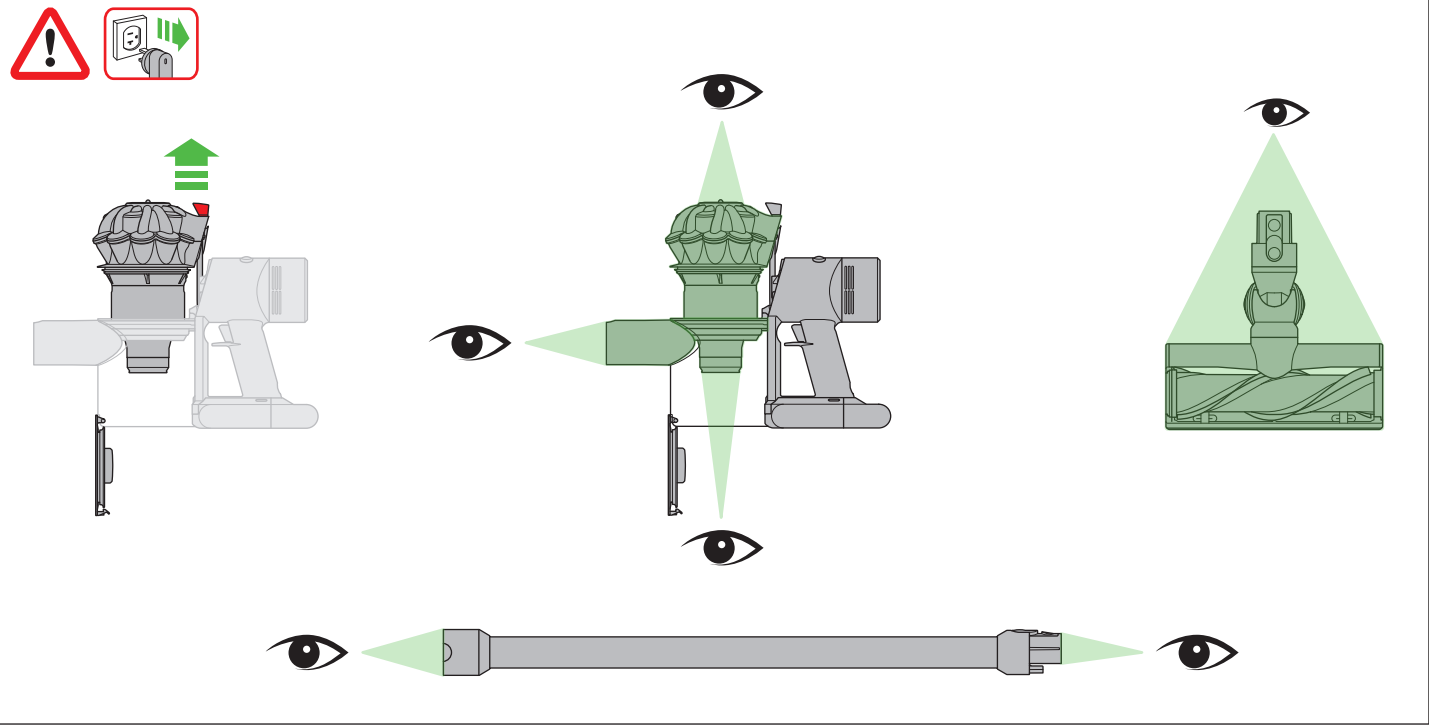
Le voyant est allumé pendant l'utilisation.



-  Niveau de charge élevé.
-  Niveau de charge moyen.
-  Niveau de charge faible.
-  À plat, doit être rechargé.
-  Défectuosité de la batterie – communiquez avec le service d'assistance de Dyson.
-  Défectuosité du corps principal – communiquez avec le service d'assistance de Dyson.

Looking for blockages

Vérification de la présence d'obstructions

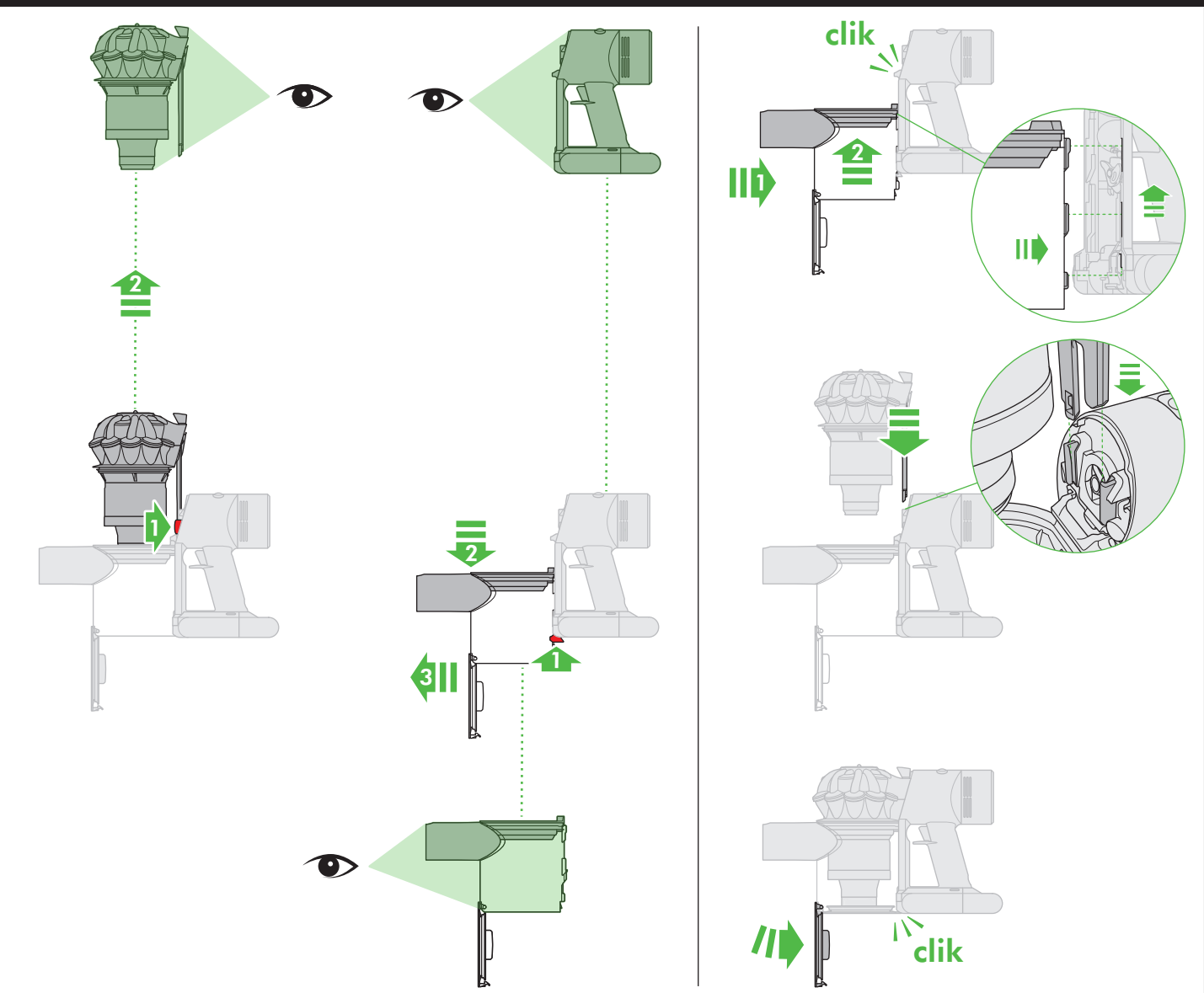


Stubborn blockages –
Disassembly

Obstructions tenaces –
Démontez l'appareil

Reassembly

Remonter l'appareil



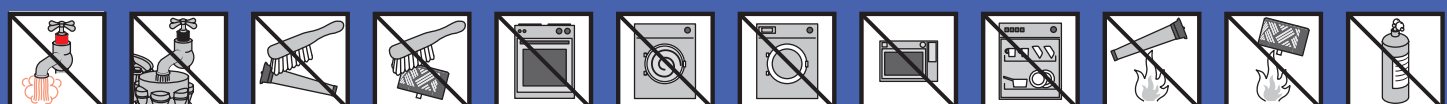
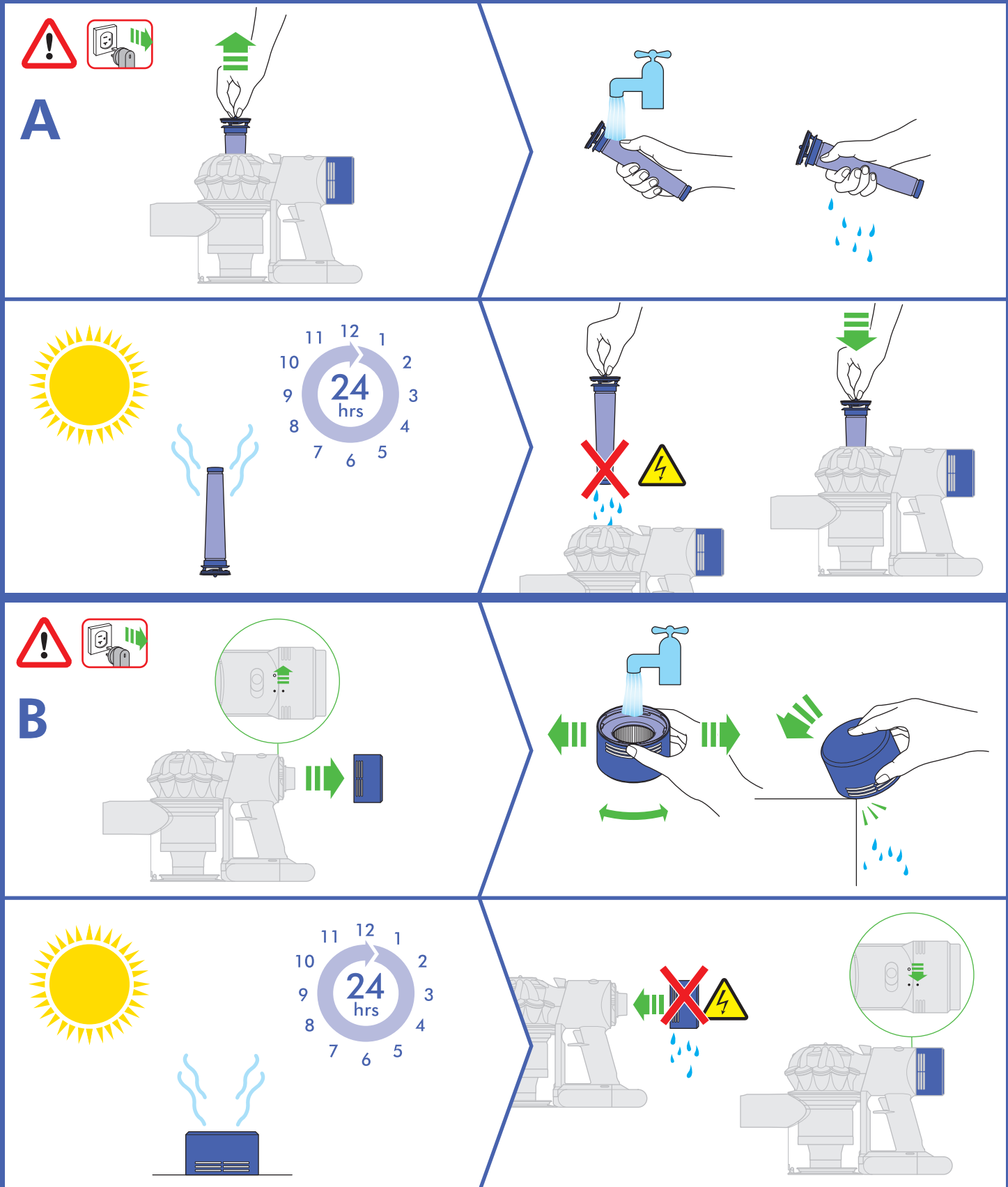
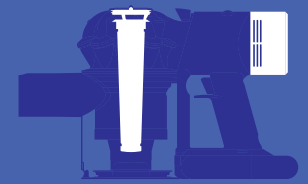
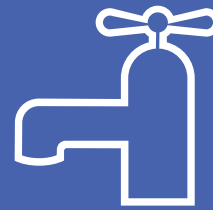
IMPORTANT!

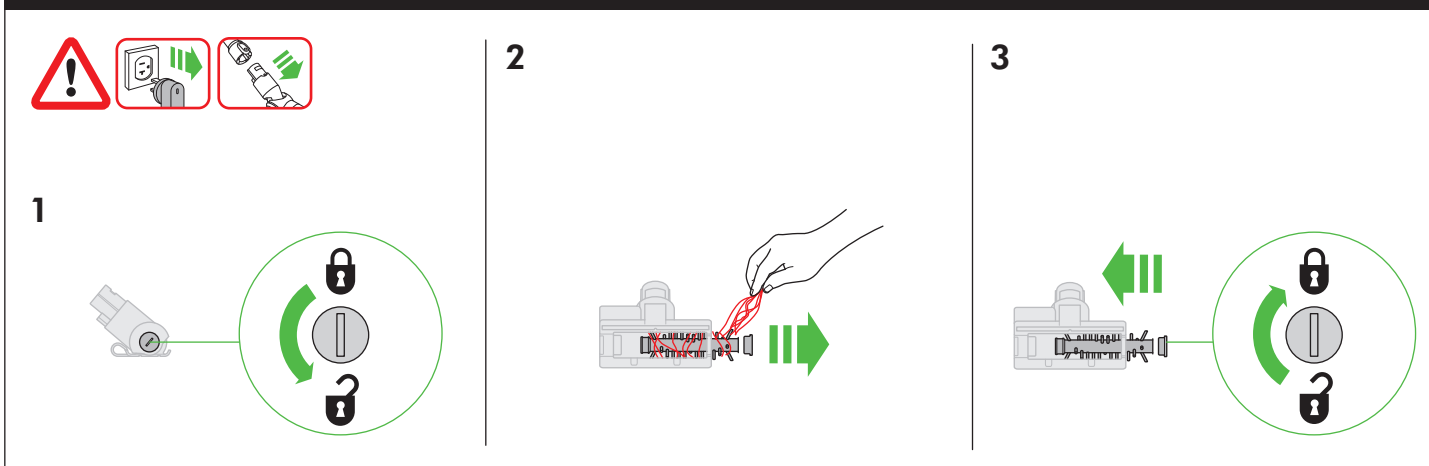
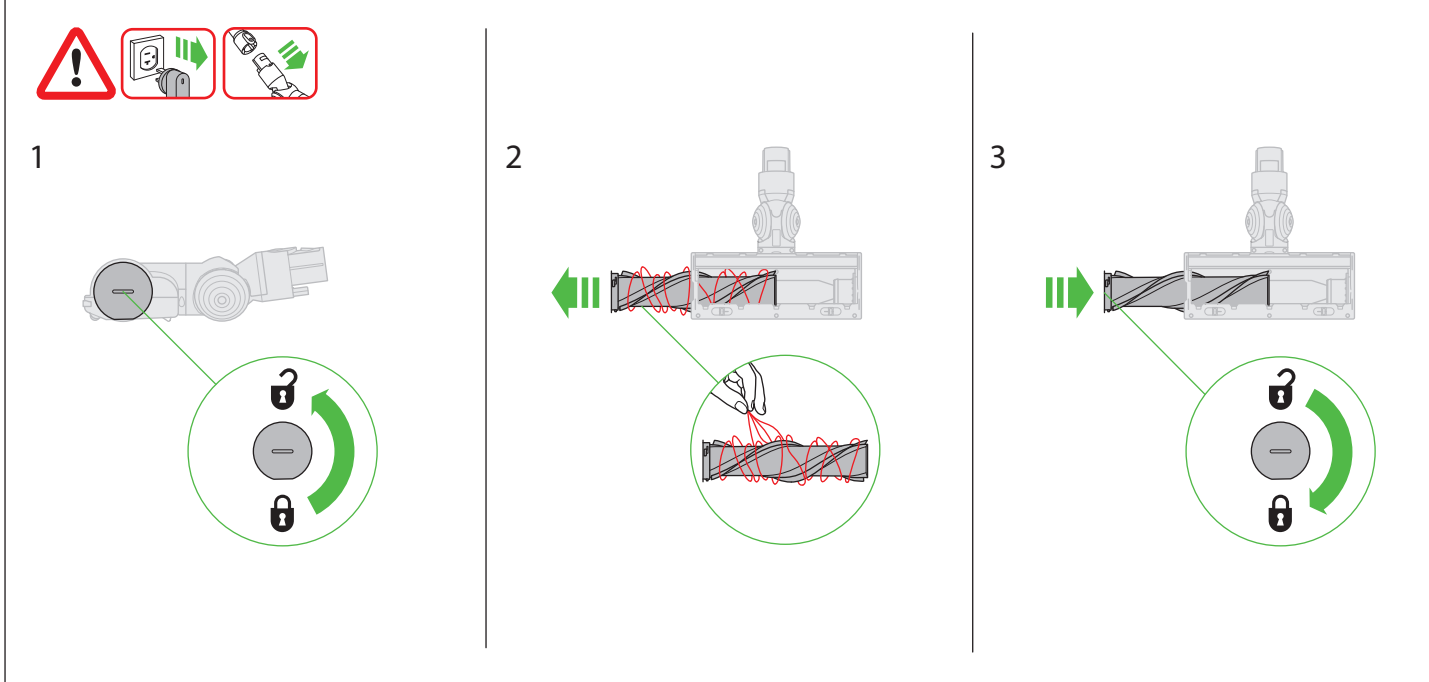
WASH FILTERS

Wash filters with cold water at least every month. Ensure the filter is completely dry before refitting.

LAVER LES FILTRES

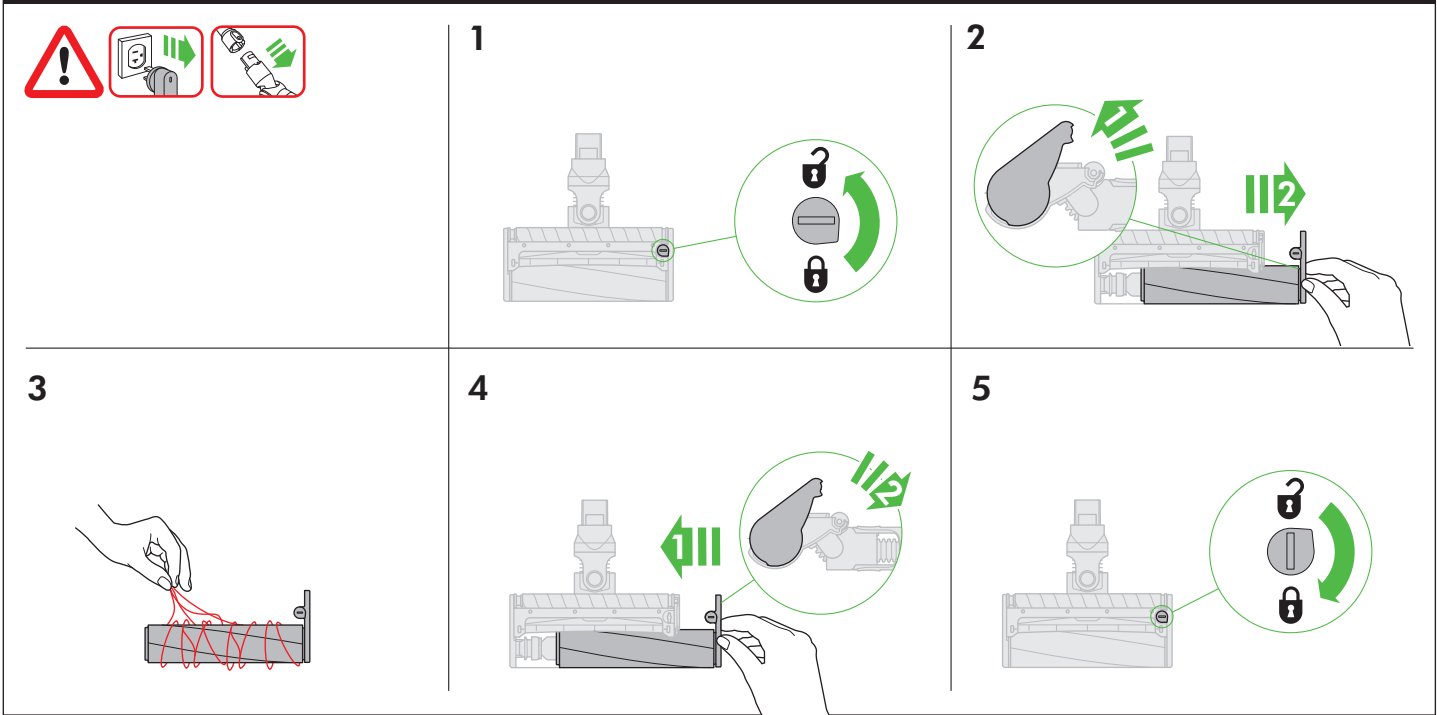
Laver les filtres à l'eau froide au moins une fois par mois. Vérifier que le filtre est complètement sec avant de le remettre en place.





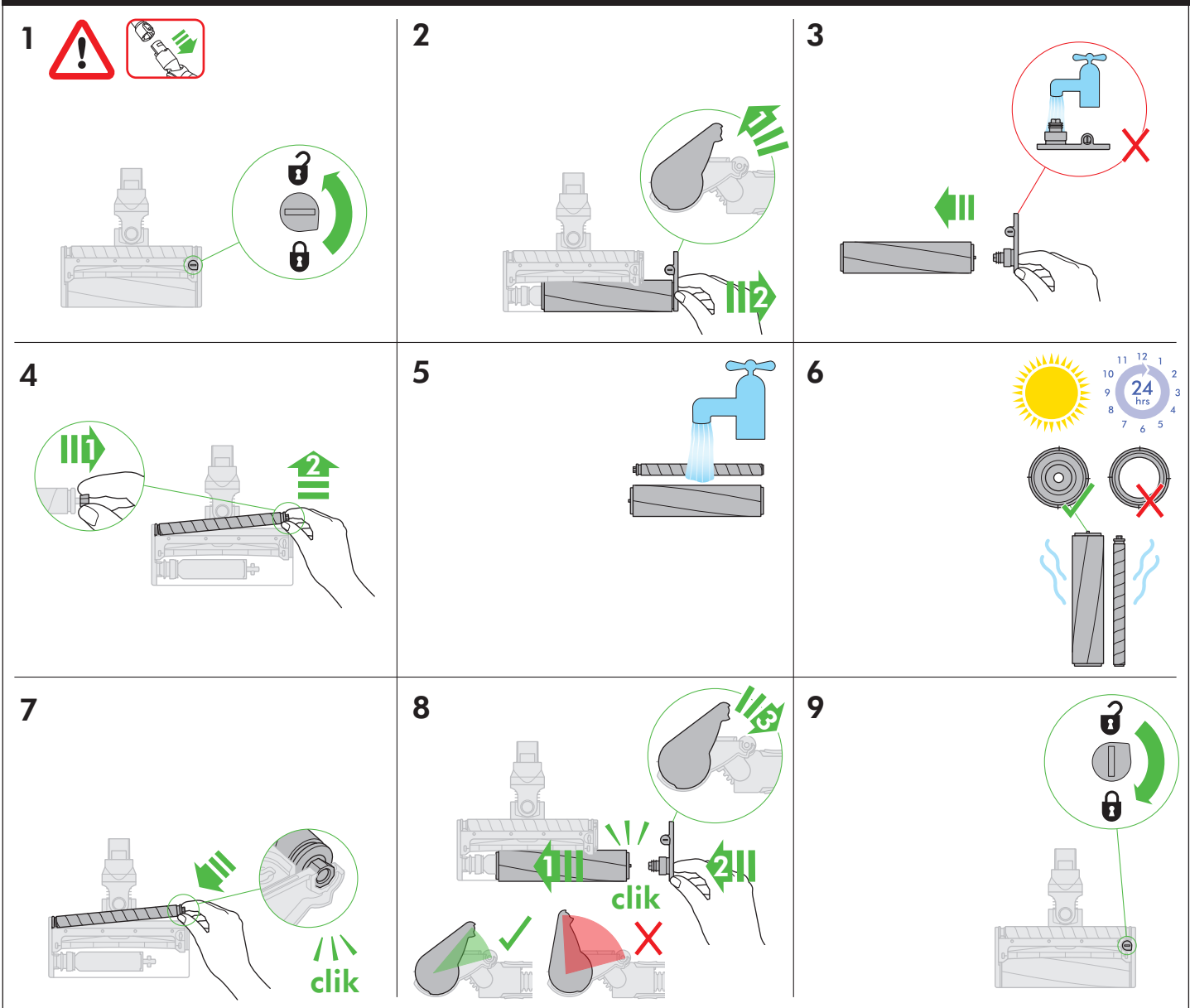
Soft roller cleanerhead: Clearing brush bar obstructions

Tête de nettoyage à rouleau souple : Élimination des obstructions sur la brosse



Soft roller cleanerhead: washing the brush bars

Tête de nettoyage à rouleau souple : lavez la brosse



USING YOUR DYSON APPLIANCE

PLEASE READ THE 'IMPORTANT SAFETY INSTRUCTIONS' IN THIS DYSON OPERATING MANUAL BEFORE PROCEEDING.

OPERATION

- Do not use outdoors or on wet surfaces or to vacuum water or other liquids – electric shock could occur.
- Ensure the appliance remains upright in use. Dirt and debris may be released if it is turned upside down.
- Do not operate while checking for blockages as doing so may result in personal injury.
- For domestic indoor and car use only. Do not use it while the car is in motion or while driving.
- To operate the Max mode, locate the switch on the top of the appliance. Slide the switch to the Max mode position.
- To switch off Max mode, slide the switch back to the Powerful Suction mode position.
- This appliance has carbon fibre brushes. Take care if coming into contact with them, as they may cause minor skin irritation. Wash your hands after handling the brushes.

DOCKING STATION INSTALLATION

- Use appropriate mounting hardware for your wall type and ensure that the docking station is mounted securely. Ensure no pipe work (gas, water, air) or electrical cables, wires or ductwork are located directly behind the mounting area. The docking station must be mounted in accordance with regulations and applicable codes/standards (provincial and local laws may apply). Dyson recommends the use of protective clothing, eyewear and materials when installing the docking station.

CARPETS OR HARD FLOORS

- Before vacuuming your flooring, rugs and carpets, check the manufacturer's recommended cleaning instructions.
- The brush bar on the appliance can damage certain carpet types and floors. Some carpets will fuzz if a rotating brush bar is used when vacuuming. If this happens, we recommend vacuuming without the motorized floor tool and consulting with your flooring manufacturer.
- Before vacuuming highly polished floors, such as wood or linoleum, first check that the underside of the floor tool and its brushes are free from foreign objects that could cause marking.

LOOKING AFTER YOUR DYSON APPLIANCE

- Do not carry out any maintenance or repair work other than that shown in this Dyson Operating Manual, or advised by the Dyson Helpline.
- Only use parts recommended by Dyson. If you do not this could invalidate your warranty.
- Store the appliance indoors. Do not use or store it below 3°C (37.4°F). Ensure the appliance is at room temperature before operating.
- Clean the appliance only with a dry cloth. Do not use any lubricants, cleaning agents, polishes or air fresheners on any part of the appliance.

VACUUMING

- Do not use without the clear bin and filters in place.
- Fine dirt such as flour should only be vacuumed in very small amounts.
- Do not use the appliance to pick up sharp hard objects, small toys, pins, paper clips, etc. They may damage the appliance.
- When vacuuming, certain carpets may generate small static charges in the clear bin or wand. These are harmless and are not associated with the mains electricity supply. To minimize any effect from this, do not put your hand or insert any object into the clear bin unless you have first emptied it. Clean the clear bin with a damp cloth only. (See 'Cleaning the clear bin'.)
- Use extra care when cleaning on stairs.
- Do not rest the appliance on chairs, tables, etc.
- Do not press down on the nozzle with excessive force when using the appliance as this may cause damage.
- Do not leave the cleaner head in one place on delicate floors.
- On waxed floors the movement of the cleaner head may create an uneven lustre. If this happens, wipe with a damp cloth, polish the area with wax, and wait for it to dry.

EMPTYING THE CLEAR BIN

- Empty as soon as the dirt reaches the level of the MAX mark – do not overfill.
- Ensure the appliance is disconnected from the charger before emptying the clear bin. Be careful not to pull the 'ON' trigger.
- To make emptying the clear bin easier, it is advisable to remove the wand and floor tool.
- To minimize dust/allergen contact when emptying, encase the clear bin tightly in a plastic bag and empty.
- To release the dirt, hold the appliance by the handle, pull the red lever back and lift upwards to release the cyclone. Continue until the bin base automatically opens and releases the dirt.
- Remove the clear bin carefully from the bag.
- Seal the bag tightly, dispose as normal.
- To close, push the cyclone downwards until it is in the normal position and manually close the base of the bin – the base will click when it is securely in place.

CLEANING THE CLEAR BIN

- Ensure the appliance is disconnected from the charger before removing the clear bin. Be careful not to pull the 'ON' trigger.
- Remove the wand and floor tool.
- To remove the cyclone, hold the appliance by the handle, pull the red lever towards you and lift upwards until the bin opens, then push in the red button located behind the cyclone and lift the cyclone out.
- To detach the clear bin from the appliance, pull back on the red catch located at the base, slide the clear bin down and carefully remove forwards from the main body.
- Clean the clear bin with a damp cloth only.
- Do not use detergents, polishes or air fresheners to clean the clear bin.
- Do not put the clear bin in a dishwasher.
- Ensure the clear bin is completely dry before replacing.
- To replace the clear bin, align the tabs on the clear bin with the grooves on the main body and slide upwards into place until the catch clicks.
- Slide the cyclone into the grooves of the main body and push downwards until it is in its normal position and manually close the base of the bin – the base will click when it is securely in place.

WASHABLE PARTS

Your appliance has washable parts, which require regular cleaning. Follow the instructions below.

WASHING THE SOFT ROLLER CLEANERHEAD BRUSHBARS

- Your appliance has two washable brush bars, check and wash these regularly according to the following instructions to maintain performance.
- Ensure the appliance is disconnected from the charger before removing the brush bar. Be careful not to pull the 'ON' trigger.
- TO REMOVE, WASH AND REPLACE BRUSHBARS:
 - Please refer to the 'Washing the Brushbars' illustrations alongside the instructions below.
 - Turn the cleaner head upside down so the underside of the cleaner head is facing you. Use a coin to turn the fastener one quarter anti-clockwise to the unlocked position.
 - Rotate the end cap to the open position. Gently slide the large brush bar away from the cleaner head.
 - Remove the end cap from the large brush bar.
 - Lift out the small brush bar from the octagonal end and pull away from the cleaner head.
 - Hold the brush bars under running water and gently rub to remove any lint or dirt.
 - Stand both brush bars upright. Ensure the large brush bar is stood upright as shown. Leave to dry completely for a minimum of 24 hours.
 - Before replacing, check that the brush bars are completely dry. Refit the small brush bar before the large one. Insert the round end of the small brush bar into place. Push down the octagonal end until it clicks into place.
 - Reattach the end cap to the brush bar.
 - Slide the large brush bar back onto the cleaner head, around the motor. The end cap should be in the open position as shown. Once in place, rotate the end cap back into the closed position.
 - Close the fastener by turning a quarter turn clockwise. Ensure that the fastener is fully turned and the base plate and the brush bars are secure.

WASHING THE FILTERS

- Your appliance has two washable filters; wash the filters at least once a month according to the following instructions to maintain performance. More frequent washing may be required where the user: vacuums fine dust, operates mainly in 'Powerful suction' mode, or uses the machine intensively.

WASHING FILTER A

- Ensure the appliance is disconnected from the charger before removing the filter. Be careful not to pull the 'ON' trigger.
- Check and wash the filter regularly according to instructions to maintain performance.
- The filter may require more frequent washing if vacuuming fine dust or if used mainly in 'POWERFUL SUCTION' mode.
- To remove the filter, lift it out of the top of the appliance.
- Wash the filter with cold water only.
- Run water over the outside of the filter until the water runs clear.
- Squeeze and twist with both hands to make sure the excess water is removed.
- Lay the filter on its side to dry. Leave to dry completely for a minimum of 24 hours.
- Do not put the filter in a dishwasher, washing machine, tumble dryer, oven, microwave or near an open flame.
- To refit, place the dry filter back into the top of the appliance. Make sure it is seated properly.

WASHING FILTER B

- To remove the filter, twist anti clockwise to the open position and pull away from the appliance.
- Wash the inside of the filter under cold running water, rotating the filter to ensure all pleats are covered.
- Gently tap the filter against the side of the sink several times to remove any debris.
- Repeat this process 4-5 times until the filter is clean.
- Place the filter upright, with the top of the filter facing upwards, and leave to dry completely for a minimum of 24 hours.
- To refit, return the filter to the open position and twist clockwise until it clicks into place.

BLOCKAGES – AUTOMATIC CUT-OUT

- This appliance is fitted with an automatic cut-out.
- If any part becomes blocked the appliance may automatically cut out.
- This will happen after the motor pulses a number of times (i.e switches on and off in quick succession).
- Leave to cool down before looking for blockages.
- Ensure the appliance is disconnected from the charger before looking for blockages. Failure to do so could result in personal injury.
- Clear any blockage before restarting.
- Refit all parts securely before using.
- Clearing blockages is not covered by your warranty.

LOOKING FOR BLOCKAGES

The motor will pulse when there is a blockage. Please follow the instructions below to locate the blockage:

- Ensure the appliance is disconnected from the charger before looking for blockages. Be careful not to pull the 'ON' trigger.
- Do not operate while checking for blockages as doing so could result in personal injury.
- Beware of sharp objects when checking for blockages.
- To check for blockages in the main body of the appliance, remove the clear bin and cyclone as per the instructions in the cleaning the clear bin section and remove the blockage. Please consult the 'Stubborn blockages' section of the illustrations for further guidance.
- If you cannot clear an obstruction you may need to remove the brush bars, please follow the instructions below:
 - To remove the soft roller cleanerhead brush bars, please refer to the 'Washing the soft roller cleanerhead brush bars' section. Remove the obstruction and replace the brush bars as shown in the 'Washing the soft roller cleanerhead brush bars' section. Ensure that the fastener is fully turned and the base plate and brush bars are secure before operating the appliance.
 - To remove the brush bars from the direct drive cleanerhead, use a coin to unlock the fastener and slide the brush bars out of the cleanerhead. Remove the obstruction. Replace the brush bar and secure it by tightening the fastener. Ensure it is fixed firmly before operating the appliance.
- This appliance has carbon fibre brushes. Take care if coming into contact with them, as they may cause minor skin irritation. Wash your hands after handling the brushes.
- Refit all parts securely before using.
- Clearing blockages is not covered by your warranty.

CHARGING AND STORING

- This appliance will switch 'OFF' if the battery temperature is below 3°C (37.4°F). This is designed to protect the motor and battery. Do not charge the appliance and then move it to an area with a temperature below 3°C (37.4°F) for storage purposes.
- To help prolong battery life, avoid recharging immediately after a full discharge. Allow to cool for a few minutes.
- Avoid using the appliance with the battery flush to a surface. This will help it run cooler and prolong battery run time and life.

BATTERY SAFETY INSTRUCTIONS

- If the battery needs replacing please contact the Dyson Helpline.
- Use only Dyson chargers for charging this Dyson appliance.
- The battery is a sealed unit and under normal circumstances poses no safety concerns. In the unlikely event that liquid leaks from the battery do not touch the liquid and observe the following precautions:
 - Skin contact – can cause irritation. Wash with soap and water.
 - Inhalation – can cause respiratory irritation. Expose to fresh air and seek medical advice.
 - Eye contact – can cause irritation. Immediately flush eyes thoroughly with water for at least 15 minutes. Seek medical attention.
 - Disposal – wear gloves to handle the battery and dispose of immediately, following local ordinances or regulations.



CAUTION

The battery used in this device may present a risk of fire or chemical burn if mistreated. Do not disassemble, short contacts, heat above 60°C (140°F), or incinerate. Keep away from children. Do not disassemble and do not dispose of in fire.

DISPOSAL INFORMATION

- Dyson products are made from high grade recyclable materials. Recycle where possible.
- The battery should be removed from the product before disposal.
- Dispose of the battery in accordance with local ordinances or regulations.

ONLINE SUPPORT

- For online help, general tips, videos and useful information about Dyson.
 - www.dysoncanada.ca/SV10support

DYSON CUSTOMER CARE

THANK YOU FOR CHOOSING TO BUY A DYSON APPLIANCE

If you have a question about your Dyson appliance, call the Dyson Helpline with your serial number and details of where and when you bought the appliance. Most questions can be solved over the phone by one of our Dyson Helpline staff. If your Dyson appliance needs service, call the Dyson Helpline so we can discuss the available options. If your Dyson appliance is under warranty, and it is a covered repair, it will be repaired at no cost. Your serial number can be found on your rating plate which is on the main body of the appliance.

PLEASE REGISTER AS A DYSON APPLIANCE OWNER

To help us ensure you receive prompt and efficient service, please register as a Dyson appliance owner. There are three ways to do this:

- Online at www.dysoncanada.ca
 - Telephone the Dyson Helpline at 1-877-397-6622.
 - Complete the enclosed Warranty Form and mail it to us.
- This will confirm ownership of your Dyson appliance in the event of an insurance loss, and enable us to contact you if necessary.

2 YEAR LIMITED WARRANTY

TERMS AND CONDITIONS OF THE DYSON 2 YEAR LIMITED WARRANTY

WHAT IS COVERED

- Your Dyson appliance is warranted against original defects in materials and workmanship for a period of 2 years from the date of purchase, when used for normal domestic purposes in accordance with the Dyson Operating Manual. Please retain your proof of purchase. If you do not have your proof of purchase, your warranty will start 90 days after the date of manufacture, according to Dyson's records. This warranty provides, at no extra cost to you, all labour and parts necessary to ensure your appliance is in proper operating condition during the warranty period. The replacement of any part of your appliance under warranty will not extend the period of warranty. Any parts which are returned to Dyson will become the property of Dyson. Please call the Dyson Helpline at 1-877-397-6622 for more information.
- This limited warranty is subject to the following terms:

WHAT IS NOT COVERED

Dyson Canada Limited shall not be liable for costs, damages or repairs incurred as a result of, due to, or from:

- Purchases of appliances from unauthorized dealers.
- Careless operation or handling, misuse, abuse and/or lack of maintenance or use not in accordance with the Dyson Operating Manual.
- Use of the appliance other than for normal domestic purposes within Canada, e.g. for commercial or rental purposes.
- Use of parts not in accordance with the Dyson Operating Manual.
- Use of parts and accessories other than those produced or recommended by Dyson.
- External sources such as weather, electrical outages or power surges.
- Repairs or alterations carried out by unauthorized parties or agents.
- Clearing blockages from your appliance or washing of the filter.
- Normal wear and tear, including normal wearing parts, such as clear bin, filter, brush bar, and power cord (or where external damage or abuse is diagnosed), carpet or floor damage due to use not in accordance with Dyson's Operating Manual or failure to turn the brush bar off when necessary.
- Reduction in battery discharge time due to battery age or use (where applicable).
- Damage as a result of use not in accordance with the rating plate.
- Use of this appliance on rubble, ash, plaster, drywall, liquids, or wet surfaces.
- Additionally, this limited warranty does not apply to any appliance that has had the serial number altered or removed.

WARRANTY LIMITATIONS AND EXCLUSIONS

- Any implied warranties relating to your appliance including but not limited to warranty of merchantability or warranty of fitness for a particular purpose, are limited to the duration of this warranty. This limitation is not allowed by some Provinces and/or Territories and so this limitation may not apply to you.
- This limited warranty gives you specific legal rights. You may also have other rights which vary by Province and/or Territory.
- This limited warranty is not transferable.
- This limited warranty is only available in Canada.

WARRANTY SERVICE

- Please fill out and return the Warranty Form or register online at www.dysoncanada.ca
- Before service can take place, the terms of the warranty require that you contact the Dyson Helpline with your model name/number, serial number, date and place of purchase.
- Please keep your purchase receipt in a safe place to ensure you have this information.
- All work will be coordinated by Dyson Canada Limited or its authorized agents.
- Any replaced defective parts will become property of Dyson.
- Service under this warranty will not extend the period of this warranty.
- If your appliance is not functioning properly, please call the Dyson Helpline at 1-877-397-6622. Most issues can be rectified over the telephone by our trained customer care staff.

IMPORTANT DATA PROTECTION INFORMATION

- If you choose to opt-in to receive communications from us, your details will be held by Dyson Canada Limited or others on behalf of Dyson Canada Limited so that we can assist you more quickly with our Dyson Helpline. From time to time, Dyson Canada Limited may send you special offers and news of our latest innovations.
- For more information about our data collection practices, please refer to the Dyson Canada Limited privacy policy at www.dysoncanada.ca

CONFORMITY INFORMATION

This Class B digital apparatus complies with Canadian ICES-003.

UTILISATION DE VOTRE APPAREIL DYSON

VEUILLEZ LIRE LES « CONSIGNES DE SÉCURITÉ IMPORTANTES » DANS CE GUIDE D'UTILISATION DYSON AVANT DE POURSUIVRE.

FONCTIONNEMENT

- Ne pas utiliser à l'extérieur ou sur des surfaces mouillées ou pour aspirer de l'eau ou tout autre liquide; une décharge électrique pourrait se produire.
- S'assurer de maintenir l'appareil à la verticale pendant l'utilisation. L'aspirateur peut rejeter de la poussière et des débris, si celui-ci est retourné.
- Ne pas rechercher d'obstructions lorsque l'aspirateur est en marche, car cela pourrait causer des blessures corporelles.
- Cet appareil est conçu uniquement pour un usage domestique intérieur et pour la voiture. Ne pas utiliser l'appareil lorsque la voiture est en mouvement ou en conduisant.
- Pour appliquer le mode d'aspiration maximale, actionnez le commutateur situé dans la partie supérieure de l'aspirateur. Mettez le commutateur en position Mode d'aspiration maximale.
- Pour quitter le Mode d'aspiration maximale, remettez le commutateur en position Mode d'aspiration puissante.
- Cet appareil est muni de brosses en fibres de carbone. Faites preuve de précaution en cas de contact avec ces dernières; elles peuvent causer de légères irritations cutanées. Se laver les mains après avoir manipulé les brosses.

INSTALLATION DE LA STATION D'ACCUEIL

- Utilisez le matériel de fixation approprié pour le type de mur et assurez-vous de fixer la station d'accueil de manière sécurisée. Assurez-vous qu'il n'y a pas de conduite d'alimentation (gaz, eau, air) ni de fils ou de câbles électriques derrière la surface de fixation. La station d'accueil doit être installée conformément à tous les codes, règlements et normes applicables (des lois à l'échelle locale ou provinciale peuvent s'appliquer). Dyson recommande le port de vêtements, de lunettes et d'équipements de protection lors de l'installation de la station d'accueil.

TAPIS OU PLANCHERS DURS

- Avant de nettoyer les planchers, tapis et moquettes, vérifiez les recommandations de nettoyage du fabricant.
- La brosse de l'aspirateur peut endommager certains types de tapis et de planchers. Des peluches se formeront sur certaines moquettes si une brosse rotative est utilisée. Si cela se produit, nous vous conseillons de passer l'aspirateur sans la brosse à moteur et de consulter le fabricant de revêtements.
- Avant de passer l'aspirateur sur les planchers de bois ou de linoléum bien cirés, vérifiez en premier qu'il n'y a aucun objet sous l'accessoire pour plancher et dans les soies, susceptible de laisser des marques.

SOINS À APPORTER À L'APPAREIL

- Ne pas effectuer d'autres réparations et entretiens que ceux recommandés dans ce guide d'utilisation Dyson ou par le service d'assistance téléphonique Dyson.
- Utiliser seulement des pièces recommandées par Dyson. Ne pas suivre cette recommandation pourrait rendre votre garantie non valide.
- Ranger l'appareil à l'intérieur. Ne pas utiliser ni entreposer à moins de 3 °C (37,4 °F). S'assurer que l'appareil est à la température ambiante avant utilisation.
- Nettoyer l'appareil seulement à l'aide d'un chiffon sec. Ne pas utiliser de lubrifiant, de produit de nettoyage, de produit à polir ou de désodorisant sur l'appareil.

PASSER L'ASPIRATEUR

- Ne pas utiliser sans le collecteur transparent et le filtre.
- Les fines particules de poussière comme la farine ne doivent être aspirées qu'en très petites quantités.
- Ne pas utiliser l'appareil pour ramasser des objets durs et pointus, des petits jouets, des épingles, des trombones, etc. Ils pourraient endommager l'appareil.
- Durant le passage de l'aspirateur, certains tapis pourraient générer de petites charges électrostatiques dans le collecteur transparent. Ces charges sont inoffensives et ne sont pas liées à l'alimentation électrique principale. Pour en réduire les effets, ne pas introduire les mains ou des objets dans le collecteur transparent à moins de l'avoir préalablement vidé. Laver le collecteur transparent uniquement à l'aide d'un linge humide. (Voir la section « Nettoyage du collecteur transparent ».)
- Redoubler de prudence dans les escaliers.
- Ne pas placer l'appareil sur une chaise, une table, etc.
- Ne pas exercer une force excessive sur la buse pendant l'utilisation de l'appareil; cela pourrait l'endommager.
- Ne pas laisser la tête de l'aspirateur au même endroit sur les planchers délicats.
- Sur les planchers cirés, le mouvement de la tête de l'aspirateur peut occasionner un lustre inégal. Si cela se produit, essuyer l'endroit avec un linge humide, appliquer de la cire et laisser sécher.

VIDAGE DU COLLECTEUR TRANSPARENT

- Vider le collecteur dès que le niveau MAX est atteint – ne pas dépasser ce niveau.
- S'assurer que l'aspirateur est débranché du chargeur avant de retirer le collecteur transparent. Veiller à ne pas tirer sur la gâchette « ON ».
- Pour faciliter le vidage du collecteur transparent, il est conseillé de retirer le tube-rallonge et l'accessoire pour planchers.
- Pour réduire le contact avec la poussière et les allergènes, recouvrir le collecteur transparent d'un sac plastique et le vider.
- Pour éliminer la saleté, tenez l'aspirateur par la poignée, poussez le levier rouge et tirez-le vers le haut pour dégager le cyclone. Continuez jusqu'à ce que la base du collecteur s'ouvre automatiquement et libère la saleté.
- Retirer avec précaution le collecteur du sac.
- Fermer hermétiquement le sac et le mettre au rebut selon la procédure normale.
- Pour refermer le collecteur, appuyez le cyclone vers le bas jusqu'à ce qu'il se trouve dans sa position normale et fermez avec la main la base du collecteur – elle s'enclenche une fois qu'elle est correctement en place.

NETTOYAGE DU COLLECTEUR TRANSPARENT

- S'assurer que l'aspirateur est débranché du chargeur avant de retirer le collecteur transparent. Veiller à ne pas tirer sur la gâchette « ON ».
- Retirer le tube-rallonge et l'accessoire pour planchers.
- Pour retirer le cyclone, tenez l'aspirateur par la poignée, tirez le levier rouge vers vous et tirez vers le haut jusqu'à ce que le collecteur s'ouvre; ensuite, poussez le bouton rouge situé derrière le cyclone et retirez ce dernier.
- Pour séparer le collecteur transparent de l'aspirateur, poussez sur le bouton de dégagement situé à la base du collecteur, faites-le glisser vers le bas et retirez-le avec précaution du corps principal de l'aspirateur en le dégageant vers l'avant.
- Laver le collecteur transparent uniquement à l'aide d'un linge humide.
- Ne pas utiliser de détergent, de cire ni de désodorisant pour laver le collecteur transparent.
- Ne pas mettre le collecteur transparent dans le lave-vaisselle.
- S'assurer que le collecteur transparent est entièrement sec avant de le remettre en place.
- Pour remettre le collecteur transparent en place, alignez les languettes situées sur le collecteur avec les rainures situées sur le corps principal et faites glisser vers le haut jusqu'à ce que le bouton de dégagement s'enclenche.
- Insérez le cyclone dans les rainures du corps principal de l'aspirateur et appuyez vers le bas jusqu'à ce qu'il se trouve dans sa position normale et fermez avec la main la base du collecteur – elle s'enclenche une fois qu'elle est correctement en place.

PIÈCES LAVABLES

Votre aspirateur comprend des pièces lavables qui nécessitent un nettoyage régulier. Suivez les instructions ci-dessous.

LAVAGE DES BROSSES

- Votre aspirateur comprend deux brosses lavables; veillez à les vérifier et les laver régulièrement conformément aux instructions suivantes afin que votre aspirateur conserve sa pleine puissance.
- Avant de retirer la brosse, assurez-vous que l'aspirateur ne soit pas branché au chargeur. Faites attention de ne pas tirer sur la gâchette « ON ».
- POUR RETIRER LES BROSSES, LES LAVER ET LES REMETTRE EN PLACE :
- Veuillez vous reporter aux illustrations « Lavage des brosses » accompagnant les instructions ci-dessous.
- Retournez la tête de nettoyage de sorte que le dessous donne vers vous. À l'aide d'une pièce de monnaie, desserrez la disposition de fixation en effectuant un quart de tour dans le sens antihoraire pour passer à la position déverrouillée.
- Faites tourner l'embout de sorte qu'il soit en position ouverte. Retirez la grosse brosse de la tête de nettoyage en la faisant glisser lentement vers l'extérieur.
- Retirez l'embout de la grosse brosse.
- Retirez la petite brosse de l'extrémité octogonale et retirez-la lentement de la tête de nettoyage.
- Passez les brosses sous l'eau et frottez délicatement pour enlever les peluches ou la poussière.
- Mettez les deux brosses à la verticale. Veillez à ce que la grosse brosse soit à la verticale, conformément à l'illustration. Laissez-les sécher complètement au minimum pendant 24 heures.
- Avant de remettre les brosses en place, vérifiez si elles sont totalement sèches. Remettez la petite brosse en place avant la grosse brosse. Insérez l'extrémité ronde de la petite brosse dans son logement. Exercez une pression sur l'extrémité octogonale jusqu'à ce qu'elle s'enclenche parfaitement.
- Remplacez l'embout sur la brosse.
- Insérez de nouveau la grosse brosse dans la tête de nettoyage, en recouvrant le moteur. L'embout devrait être en position ouverte, conformément à l'illustration. Une fois en place, effectuez une rotation de sorte qu'il se trouve en position fermée.
- Fermez le dispositif de fixation en effectuant un quart de tour en sens horaire. Assurez-vous que le dispositif de fixation soit complètement enclenché et que les brosses soient parfaitement fixées.

LAVAGE DES FILTRES

- Votre aspirateur comprend deux filtres lavables; veillez à les laver au moins une fois par mois conformément aux instructions suivantes afin que votre aspirateur conserve sa pleine puissance. Un lavage plus fréquent peut être nécessaire lorsque vous passez l'aspirateur pour éliminer de la poussière fine, vous utilisez essentiellement le mode « Puissance accrue » ou vous utilisez votre aspirateur de manière intensive.

LAVAGE DU FILTRE A

- S'assurer que l'aspirateur est débranché du chargeur avant de retirer le filtre. Veiller à ne pas tirer sur la gâchette « ON ».
- Vérifier et nettoyer le filtre régulièrement en suivant les instructions d'entretien.
- Le filtre peut nécessiter un lavage plus fréquent si on se sert de l'aspirateur pour aspirer des poussières fines ou si on l'utilise essentiellement en mode PUISSANCE D'ASPIRATION ÉLEVÉE.
- Pour retirer le filtre, l'enlever par le haut de l'aspirateur.
- Laver le filtre à l'eau froide seulement.
- Passer le côté extérieur du filtre sous l'eau jusqu'à ce qu'elle soit claire.
- Presser et tordre le filtre avec les deux mains pour éliminer tout résidu d'eau.
- Placer le filtre sur son côté pour qu'il sèche complètement. Le laisser sécher complètement au minimum pendant 24 heures.
- Ne pas mettre le filtre dans le lave-vaisselle, la machine à laver le linge, la sècheuse, le four, le four à micro-ondes ni le placer près d'une flamme vive.
- Une fois le filtre sec, le remettre en place par le haut de l'aspirateur. S'assurer qu'il est correctement mis en place.

LAVAGE DU FILTRE B

- Pour retirer le filtre, tournez le filtre dans le sens antihoraire pour qu'il soit en position ouverte et le retirer de l'aspirateur.
- Lavez l'intérieur du filtre à l'eau froide en faisant tourner le filtre pour vous assurer que toutes les surfaces ont été lavées.
- Pour éliminer tous débris, tapotez doucement le filtre sur le bord de l'évier.
- Répétez la procédure 4 à 5 fois jusqu'à ce que le filtre soit propre.
- Mettez le filtre à la verticale, la partie supérieure donnant vers le haut, et laissez-le sécher à fond pendant au moins 24 heures.
- Pour remettre le filtre en place, replacez-le en position ouverte et faites le tourner dans le sens horaire jusqu'à ce qu'il s'enclenche dans son logement.

EN CAS D'OBSTRUCTIONS – UN COUPE-CIRCUIT AUTOMATIQUE S'ENCLENCHE.

- Cet appareil est doté d'un coupe-circuit automatique.
- Si un élément est obstrué, l'appareil peut surchauffer et le coupe-circuit s'enclenche automatiquement.
- Ce mécanisme s'enclenche après un certain nombre d'impulsions du moteur (c.-à.-d. s'active et se désactive à intervalles se succédant rapidement).
- Laissez l'appareil refroidir avant de vérifier s'il y a une obstruction.
- S'assurer que l'appareil est débranché du chargeur avant de vérifier s'il y a des obstructions. En cas de non-respect de cette consigne, il peut en résulter des blessures.
- Éliminer toute obstruction avant de remettre l'appareil en marche.
- Remettre en place toutes les parties de l'appareil avant de l'utiliser.
- L'élimination des obstructions n'est pas couverte par la garantie.

VÉRIFICATION DE LA PRÉSENCE D'OBSTRUCTIONS

Le moteur vibre lorsqu'il y a une obstruction. Veuillez suivre les instructions ci-après pour repérer l'obstruction :

- S'assurer que l'appareil est débranché du chargeur avant de vérifier s'il y a des obstructions. Veiller à ne pas tirer sur la gâchette « ON ».
- Ne pas rechercher d'obstructions lorsque l'aspirateur est en marche, car cela pourrait causer des blessures corporelles.
- Prendre garde aux objets pointus lorsque vous éliminez les obstructions.
- Pour vérifier la présence d'obstructions dans le corps principal de l'aspirateur, retirez le collecteur transparent et le cyclone conformément aux instructions indiquées à la section sur le nettoyage du collecteur transparent et retirez l'obstruction. Reportez-vous à la section « Obstructions tenaces » ainsi qu'aux illustrations pour avoir plus de directives.
- Si vous ne pouvez pas éliminer une obstruction, vous devez retirer la brosse; veuillez suivre les instructions ci-dessous :
 - Pour retirer la brosse de la tête de nettoyage à rouleau souple, veuillez vous reporter à la section « Lavage de la brosse de la tête de nettoyage à rouleau souple ». Retirez l'obstruction et remettez la brosse en place selon les instructions à la section « Lavage de la brosse de la tête de nettoyage à rouleau souple ». Avant de remettre l'aspirateur en marche, assurez-vous que le dispositif de fixation soit complètement enclenché et que la plaque de base et la brosse soient parfaitement en place.
 - Pour retirer les brosses de la tête de nettoyage à entraînement direct, à l'aide d'une pièce de monnaie, déverrouillez le dispositif de fixation indiqué par un cadenas. Éliminez l'obstruction. Remettez la brosse en place et fixez-la fermement en resserrant le dispositif de fixation. Assurez-vous qu'elle est correctement fixée avant d'utiliser l'aspirateur.
- Cet appareil est muni de brosses en fibres de carbone. Faites preuve de précaution en cas de contact avec ces dernières; elles peuvent causer de légères irritations cutanées. Se laver les mains après avoir manipulé les brosses.
- Remettre en place toutes les parties de l'appareil avant de l'utiliser.
- L'élimination des obstructions n'est pas couverte par la garantie.

RECHARGE ET RANGEMENT

- L'appareil s'éteindra si la température de la batterie est inférieure à 3 °C (37,4 °F), afin de protéger le moteur et la batterie de l'appareil. Ne pas recharger l'appareil et l'entreposer ensuite dans un endroit où la température ambiante est inférieure à 3 °C (37,4 °F).
- Pour prolonger la durée de la batterie, évitez de la recharger immédiatement après une décharge complète. Laissez refroidir quelques minutes.
- Évitez d'utiliser l'appareil lorsque la batterie entre en contact avec une surface. Ceci permettra à l'appareil de fonctionner sans surchauffe et prolongera le temps et la durée de la batterie.

CONSIGNES DE SÉCURITÉ RELATIVES À LA BATTERIE

- S'il faut remplacer la batterie, veuillez communiquer avec le service d'assistance téléphonique de Dyson.
- Utiliser seulement des chargeurs Dyson pour recharger la batterie de cet appareil Dyson.
- La batterie est une unité hermétique qui, dans des circonstances normales, ne pose aucun problème de sécurité. Dans l'éventualité peu probable d'une fuite, éviter tout contact avec le liquide et respecter les précautions suivantes :
 - Contact avec la peau – peut causer des irritations cutanées. Laver à l'eau et au savon.
 - Inhalation – peut irriter les voies respiratoires. Respirer de l'air frais et consulter un médecin.
 - Contact avec les yeux – peut causer des irritations cutanées. Rincer immédiatement à grande eau pendant au moins 15 minutes. Consulter un médecin.
 - Mise au rebut – porter des gants pour manipuler la batterie et la mettre immédiatement au rebut conformément aux règlements et arrêtés locaux.



ATTENTION

La batterie utilisée dans cet appareil peut présenter un risque d'incendie ou de brûlure chimique si elle est manipulée de façon abusive. Ne pas tenter de la désassembler, de court-circuiter les contacts, de la chauffer à plus de 60 °C (140 °F) ou de l'incinérer. Tenir à l'écart des enfants. Ne pas désassembler et ne pas jeter au feu.

INFORMATION RELATIVE À L'ÉLIMINATION DU PRODUIT

- Les produits Dyson sont fabriqués à partir de matériaux hautement recyclables. Le recycler dans la mesure du possible.
- La batterie doit être retirée de l'appareil avant sa mise au rebut.
- Jeter la pile conformément aux règlements et arrêtés locaux.

SOUTIEN EN LIGNE

- Pour de l'aide en ligne, des conseils généraux et des informations utiles sur Dyson.
 - www.dysoncanada.ca/SV10soutien

ASSISTANCE À LA CLIENTÈLE DYSON

MERCI D'AVOIR CHOISI D'ACHETER UN APPAREIL DYSON

Si vous avez des questions sur votre appareil Dyson, communiquez avec le service d'assistance téléphonique de Dyson. Ayez en main votre numéro de série et les détails relatifs à l'achat de l'appareil ou communiquez avec nous par l'entremise du site Web de Dyson. La plupart des problèmes peuvent être réglés au téléphone ou par courriel avec l'aide d'un de nos représentants au service d'assistance téléphonique.

Si votre appareil Dyson nécessite une réparation, composez le numéro de la ligne d'assistance téléphonique de Dyson. Nous vous présenterons les options qui s'offrent à vous. Si l'appareil est sous garantie et que la réparation est couverte par cette dernière, la réparation sera effectuée gratuitement. Le numéro de série se trouve sur la plaque signalétique apposée sur le châssis de l'appareil.

VEUILLEZ VOUS ENREGISTRER EN TANT QUE PROPRIÉTAIRE D'UN APPAREIL DYSON

Afin de nous aider à vous offrir un service rapide et efficace, veuillez prendre le temps d'enregistrer votre achat auprès de nous. Vous pouvez le faire de trois façons :

- En ligne à l'adresse www.dysoncanada.ca
- Par téléphone en appelant la ligne d'assistance Dyson au 1-877-397-6622.
- Par la poste en remplissant le formulaire de garantie ci-joint et en nous l'envoyant.

Ceci vous permet de confirmer que vous êtes le propriétaire de votre appareil en cas de sinistre et nous permet de communiquer avec vous au besoin.

GARANTIE LIMITÉE DE DEUX ANS

CONDITIONS DE LA GARANTIE LIMITÉE DYSON DE 2 ANS

CE QUI EST COUVERT

- Votre appareil Dyson est garanti contre tout défaut de matériaux d'origine et de main-d'œuvre pendant une période de deux ans à compter de la date d'achat, en usage domestique normal, conformément au guide d'utilisation Dyson. Veuillez conserver votre preuve d'achat. Cette garantie vous offre, sans aucuns frais supplémentaires, la couverture pièces et main-d'œuvre requise afin que votre appareil fonctionne correctement pendant la durée de validité de la garantie. Le remplacement de toute pièce sur votre appareil ne prolonge en aucun cas la durée de la garantie. Toute pièce retournée devient la propriété de Dyson. Pour plus d'information, veuillez composer le numéro de la ligne d'assistance Dyson, soit le 1-877-397-6622.
- La présente garantie limitée est soumise aux conditions suivantes :

CE QUI N'EST PAS COUVERT

Dyson Canada Limited décline toute responsabilité pour les coûts, dommages ou réparations engendrés par les situations découlant :

- de l'achat d'un appareil auprès d'un détaillant non autorisé;
- de toute utilisation ou manipulation négligente, d'une mauvaise utilisation, d'un manque d'entretien ou de toute utilisation non conforme au guide d'utilisation Dyson;
- de toute utilisation de l'appareil à des fins autres qu'un usage domestique normal au Canada, c'est-à-dire à des fins commerciales ou de location;
- d'une utilisation de pièces non recommandées par le guide d'utilisation;
- de l'utilisation de pièces et d'accessoires autres que ceux fournis ou recommandés par Dyson;
- de facteurs externes tels que les intempéries, des défaillances électriques ou des surtensions;
- de réparations ou modifications effectuées par des parties ou représentants non autorisés;
- de l'élimination des obstructions sur l'appareil ou du lavage du filtre;
- de l'usure normale, y compris l'usure normale des pièces telles que le collecteur transparent, le filtre, la brosse et le cordon d'alimentation (ou sur un élément où l'on constate des dommages externes ou ayant fait l'objet d'une mauvaise utilisation), de tout dommage causé aux tapis ou aux sols en raison d'un non-respect du guide d'utilisation Dyson ou du fait d'avoir omis de désactiver la brosse;
- Si la pile se décharge plus rapidement, cela est dû au fait qu'elle est usée ou trop vieille (le cas échéant);
- d'un dommage causé par une utilisation non conforme aux indications contenues sur la plaque signalétique;
- de l'utilisation de l'appareil sur des surfaces mouillées, en placoplâtre ou des surfaces où il y a des gravats, des cendres, du plâtre ou des liquides.
- En outre, la garantie limitée ne s'applique pas à tout appareil dont le numéro de série a été modifié ou supprimé.

RESTRICTIONS ET EXCLUSIONS DE GARANTIE

- Toutes les garanties implicites liées à votre appareil, y compris, mais sans s'y limiter, les garanties de qualité marchande ou de convenance à un usage particulier sont limitées à la durée de la présente garantie. Cette limitation n'est pas permise dans certaines provinces et territoires et, par conséquent, pourrait ne pas s'appliquer à vous.
- La présente garantie vous confère des droits juridiques particuliers. Vous pouvez aussi avoir d'autres droits selon la province ou le territoire où vous résidez.
- La présente garantie limitée est inaccessibile.
- La présente garantie limitée est disponible uniquement au Canada.

RÉPARATIONS SOUS GARANTIE

- Veuillez remplir le formulaire de garantie et nous le retourner, ou enregistrer votre produit en ligne à l'adresse www.dysoncanada.ca
- Les conditions de la garantie stipulent que vous devez, avant que soit faite la réparation, composer le numéro du service d'assistance téléphonique de Dyson en ayant en main le nom ou le numéro de modèle de votre appareil, le numéro de série, la date et l'endroit où vous avez effectué l'achat.
- Veuillez conserver le coupon de caisse dans un endroit sûr afin de ne pas perdre ces renseignements.
- Toutes les réparations sont effectuées par Dyson Canada Limited ou un de ses représentants autorisés.
- Toute pièce défectueuse remplacée devient la propriété de Dyson.
- Les réparations effectuées sous garantie ne prolongeront pas la période de la présente garantie.
- Si votre appareil ne fonctionne pas correctement, communiquez avec le service d'assistance téléphonique de Dyson au 1-877-397-6622. La plupart des problèmes peuvent être réglés au téléphone avec l'aide d'un membre du personnel qualifié du service d'assistance téléphonique de Dyson.

RENSEIGNEMENTS IMPORTANTS SUR LA PROTECTION DES DONNÉES

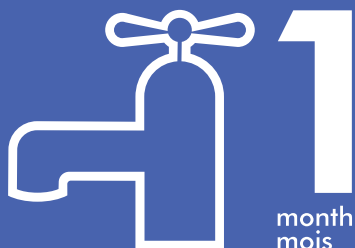
- Si vous décidez de ne plus recevoir de communications de notre part, vos renseignements personnels seront conservés par Dyson Canada Limited ou d'autres sociétés au nom de Dyson Canada Limited afin que nous puissions vous aider plus rapidement dans le cadre de notre service d'assistance téléphonique. De temps à autre, Dyson Canada Limited peut vous envoyer des offres spéciales et des nouvelles au sujet de ses plus récentes innovations.
- Pour obtenir plus d'information sur nos pratiques relatives à la collecte de données, veuillez consulter la politique de confidentialité de Dyson Canada Limited à l'adresse www.dysoncanada.ca

INFORMATION RELATIVE À LA CONFORMITÉ

Cet appareil numérique de la classe B est conforme à la norme NMB-003 du Canada.

IMPORTANT!

WASH FILTERS LAVER LES FILTRES



Wash filters with cold water at least every month.
Ensure the filter is completely dry before refitting.
Laver les filtres à l'eau froide au moins une fois
par mois.
Vérifier que le filtre est complètement sec avant de
le remettre en place.



Dyson Helpline

If you have a question about your Dyson appliance, call the Dyson Helpline with your serial number and details of where and when you purchased the appliance, or contact us via the Dyson website.

Ligne d'assistance Dyson

Si vous avez des questions sur votre appareil Dyson, communiquez avec le service d'assistance téléphonique de Dyson. Ayez en main votre numéro de série et les détails relatifs à l'achat de l'appareil ou communiquez avec nous par l'entremise du site Web de Dyson.

Dyson Contact Details

Website: www.dysoncanada.ca

Dyson Helpline: 1-877-397-6622. Monday - Friday 8am - 7pm (EST).
Saturday 9am - 5pm (EST). Closed Sundays and civic holidays

Coordonnées

Site Web : www.dysoncanada.ca

Ligne d'assistance Dyson : 1-877-397-6622. Du lundi au vendredi
- de 8 h à 19 h (HNE). Le samedi - de 9 h à 17 h (HNE). Fermé les
dimanches et pendant les congés officiels

ONLINE SUPPORT

For online help, general tips, videos and useful information about Dyson.

www.dysoncanada.ca/SV10supportvideos

www.dysoncanada.ca/SV10support

SOUTIEN EN LIGNE

Pour de l'aide en ligne, des conseils généraux et des informations utiles sur Dyson.

www.dysoncanada.ca/SV10videosdesoutien

www.dysoncanada.ca/SV10soutien