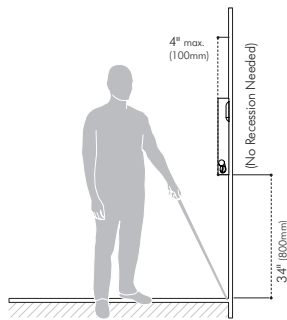


## Mobility access within washroom facilities

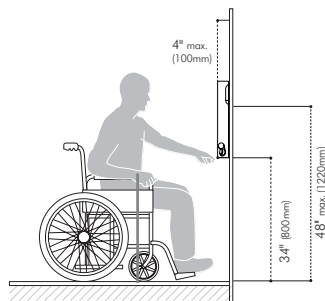
Because the Airblade 9kJ hand dryer is primarily installed in a restroom setting, it must comply with at least two primary accessibility requirements. The first is that the unit be placed on an accessible route but not protrude into any required accessible clear area of other items, such as a door, sink, water closet, urinal or fixed waste receptacle. The second is the mounting height relating to reach range and space requirements to use the unit itself. State or local codes may require more stringent accessibility standards when facilities are newly constructed or altered. An accessible toilet room is comprised of an accessible entrance, accessible turning space, and at least one type of accessible dispenser and fixture of each type. The Airblade 9kJ hand dryer would be considered a wall mounted unit similar to a towel dispenser.



### Clearance for wall-mounted protruding objects:

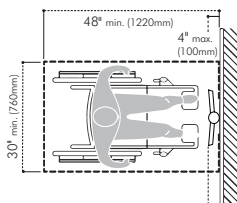
#### Airblade 9kJ is less than 4 inches protruding from the wall.

Traditional hand dryers that protrude beyond the 4" are allowed to be of an unlimited distance by ADAAG as long as they are mounted at 27" above finished floor (AFF) or lower so that they overlap the cane detection range. Objects mounted with their leading edges at or below 27" (685 mm) AFF may protrude any amount; however, protruding objects should not reduce the clear width of an accessible route or maneuvering space. Any retrofit installation must comply with the newest and most stringent code standards.



### Forward reach:

Often accessibility code concepts are concerned with people in a seated position who use wheelchairs, which naturally limits the height and depth of their reach range. Because of the design of the Airblade 9kJ hand dryer, it is assumed that a front approach is the only way the unit can be properly used, therefore the side approach standards should not apply.



### Forward reach over an obstruction:

A clear area in front of the unit should be a minimum of 30" wide by 48" of length. This area can overlap a circulation path but should not overlap other required accessible areas, for example, a lavatory sink in restrooms with access to more than one user at one time. Single use restrooms can overlap accessible areas due to the fact that they are used by only one person at a time.

Dyson Airblade 9kJ accessible installation matrix:	Yes/No	Compliant
Does the unit have the required front approach 30" x 48" clear floor clearance?	Yes	Yes
Does the reach range exceed 40" maximum height above the finished floor surface?	No	Yes
Is the hand dryer mounted at a height where it is considered a protruding object?	No	Yes
Does the front edge project more than 4" into the path of travel when properly mounted?	No	Yes
Does the unit provide the proper 9" toe clearance?	Yes	Yes

## Conclusion

Based on our review of data provided by Dyson for the Airblade 9kJ hand dryer it appears that if properly installed per manufacturer's recommendations for height, and the design professional allows the proper front approach clear area with no conflicting overlapping accessible areas, then the unit should comply with accessible requirements.

\*Source: ADA Accessibility Guidelines for Buildings and Facilities (ADAAG), Section 4. Accessible Elements and Spaces: Scope and Technical Requirements.

# dyson airblade 9kj

HU  
03

## Electrical

Input voltage: Low voltage = 100-127V, High voltage = 200-240V

Frequency: 50 or 60Hz at 100-127V;

50 or 60Hz at 200-240Hz

Standby power consumption: Less than 0.5 W

Motor specification: 900 W (MAX) mode / 650 W (ECO) mode  
digital brushless motor

Motor switching rate: 5,000 per second (MAX mode) / 4,533 per second  
(ECO mode).

Amp: Dedicated 20 AMP suitable for up to 2 machines

LV: 5.91 AMP (ECO) / 7.79 AMP (MAX) HV: 2.95 AMP (ECO) / 4.05 AMP (MAX)

Heater type: None

## Construction

Fascia: Stainless steel – Brushed (304L)

Backplate mounting bracket: Stainless steel

Exterior screw type: Anti-tamper 1 3/4 in Pin-Hex

Water ingress protection to IP24

## Filter

Sealed HEPA filter (Glass fiber and fleece prelayer)

Removes 99.97% of particles, as small as 0.3 microns, including bacteria and viruses.

## Operation

Touch free 'time of flight' sensor activation

Hand dry time measurement: 10 seconds (MAX) mode / 12 seconds (ECO)  
mode (measurement based on NSF P335 to a measurement of 0.1g  
residual moisture)

Sound power level: 79 dB(A) (MAX) mode / 77 dB(A) (ECO) mode

Operation lock-out period: 30 seconds

Airspeed at aperture: 624km/h or 388 mph (High voltage Max mode);  
569 km/h or 354 mph (High voltage Eco mode); 624 km/h or 388 mph  
(Low voltage Max mode); 543 km/h or 337 mph (Low voltage Eco mode)

Maximum altitude: 3,000 meters / 9,842 ft

Operating temperature range: 32°F–104°F / 0°C–40°C

## Logistics

Single unit order code: Low voltage: 282997-01, High voltage: 314696-01

Unit barcode:

Low voltage: 885609017693, High voltage: 885609017686

Net weight: 9.99 lbs / 4.53 kg

Packaged weight: 16.84 lbs / 7.64 kg

Packaged dimensions:

(H) 5.1 in x (W) 20.5 in x (D) 24.3 in / (H) 129 x (W) 520 x (D) 616 mm

## Standard warranty

5 year parts and 5 year limited labor warranty

## Dyson backplate

Where only unsupported plasterboard is available for installation, a Dyson backplate must be used. The Dyson backplate helps protect the wall from water damage and can be used to cover holes/marks left from previously installed products – including the Dyson Airblade dB hand dryer. Contact the Dyson Helpline or [www.dyson.com](http://www.dyson.com) for further information.

## WELL Building Standard™

Dyson Airblade™ hand dryers contribute towards satisfying Feature W08 under the WELL Building Standard™.

For further information please contact Dyson

888-397-6622

[airbladeinfo@dyson.com](mailto:airbladeinfo@dyson.com)

[www.dyson.com](http://www.dyson.com)



The Carbon label is a trademark of the Carbon Trust.

Quiet Mark is a registered trademark of the Noise Abatement Society. International WELL Building Institute™ and the related logo are trademarks used with permission from the International WELL Building Institute.™

<sup>1</sup>HEPA filter tested to IEST-RP-CC001.6, by an independent testing laboratory, under prescribed test conditions.

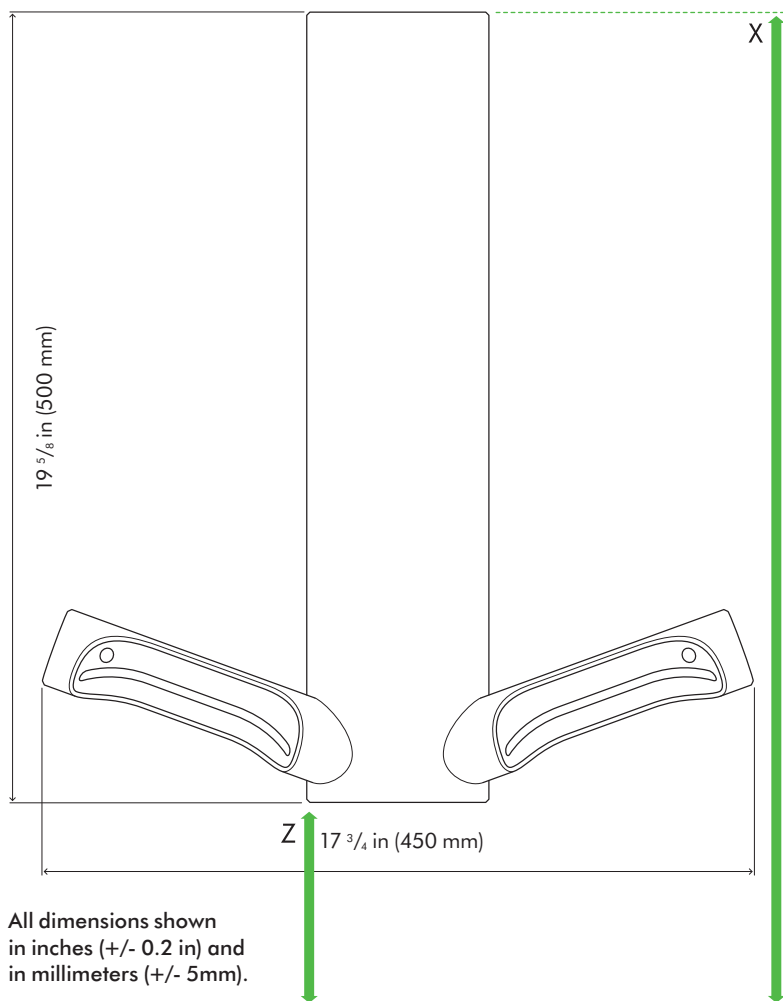
# dyson airblade 9kJ

## Low voltage and high voltage technical specification

HU  
03



Front elevation

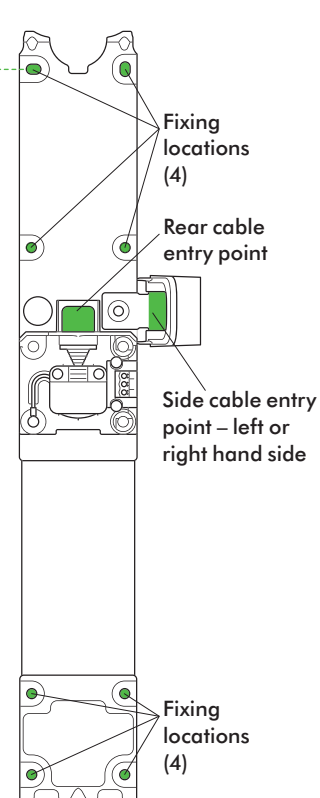


All dimensions shown in inches (+/- 0.2 in) and in millimeters (+/- 5mm).

Side elevation



Back plate



See table for recommended mounting heights

FLOOR

### Recommended installation heights from floor

Male	X 58 <sup>5</sup> / <sub>8</sub> in (1489 mm)	Y 57 <sup>1</sup> / <sub>8</sub> in (1451 mm)	Z 38 <sup>15</sup> / <sub>16</sub> in (989 mm)
Female	X 57 <sup>1</sup> / <sub>4</sub> in (1454 mm)	Y 55 <sup>3</sup> / <sub>4</sub> in (1416 mm)	Z 37 <sup>7</sup> / <sub>16</sub> in (954 mm)
Wheelchair user	X 49 in (1245 mm)	Y 47 <sup>1</sup> / <sub>2</sub> in (1207 mm)	Z 29 <sup>1</sup> / <sub>3</sub> in (745 mm)
Child 5-8w	X 44 in (1117 mm)	Y 42 <sup>1</sup> / <sub>2</sub> in (1079 mm)	Z 24 <sup>1</sup> / <sub>3</sub> in (617 mm)
Child 8-11	X 48 in (1217 mm)	Y 46 <sup>3</sup> / <sub>8</sub> in (1179 mm)	Z 28 <sup>1</sup> / <sub>4</sub> in (717 mm)
Child 11-14	X 51 in (1294 mm)	Y 49 <sup>1</sup> / <sub>2</sub> in (1256 mm)	Z 31 <sup>1</sup> / <sub>4</sub> in (794 mm)

### Machine dimensions

Height: 19 <sup>5</sup>/<sub>8</sub> in (500 mm) Width: 17 <sup>3</sup>/<sub>4</sub> in (450 mm) Depth: 4 in (100 mm)

### Minimum clearance

8 <sup>1</sup>/<sub>4</sub> in (832 mm) above machine.

### Rear cable entry point from floor

Male	51 in (1293 mm)
Female	49 <sup>1</sup> / <sub>2</sub> in (1258 mm)
Wheelchair user	41 <sup>1</sup> / <sub>3</sub> in (1049 mm)
Child 5-8	36 <sup>1</sup> / <sub>4</sub> in (921 mm)
Child 8-11	40 <sup>1</sup> / <sub>5</sub> in (1021 mm)
Child 11-14	48 <sup>1</sup> / <sub>4</sub> in (1098 mm)

For further information please contact Dyson  
888-397-6622  
airbladeinfo@dyson.com  
www.dyson.com